

SERVICING MATERIALS AND SEALING COMPOUNDS

Part No.	Description	Quantity	Use
----------	-------------	----------	-----

Sealing Compounds and Adhesives

D 2	Sealing compound for housings, 140 g	1	Sealing of engine and transmission cases
D 3	Sealing compound for housings, 175 g	1	Sealing of engine and transmission cases
D 10	Glazing cement, 1 kg	1	Sealing of window glasses
D 10.5	Glazing cement, 375 g	1	Sealing of window glasses
D 11	Plastic glue, 1 kg	1	For PVC foils and leatherette
D 12	Universal adhesive, 1 kg	1	For sticking of sound deadeners, insulation, rubber parts, carpeting, upholstery filler, textiles and polyethylene foil
D 14	Sealing compound, 1 kg	1	Weather-resistant sealing of joints between wood, steel and plastic parts, e. g. slats on Pick-Up
D 17	Sealing compound, 750 g	1	For sealing of spot weld seams and joints in frame seal
D 19	Plastic sealing strip, 1 roll	1	Stopping leaks, sealing between front fender (rear edge) and front quarter panel on Type 3
D 20	Joint sealer, 750 g	1	Application to visible joints and folds (e. g. roof members on Type 3) (paintable)
D 21	Rubber adhesive, 350 g	1	Sticking rubber parts to metal

Brake Fluids and Pastes

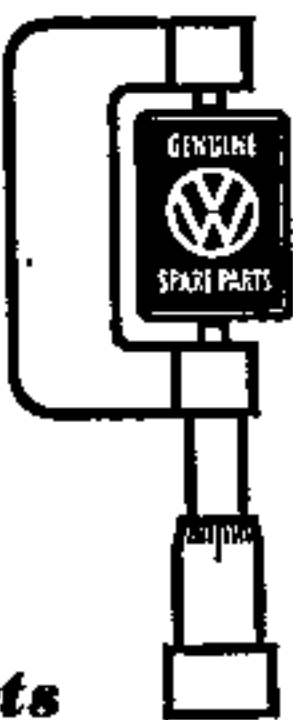
B 1	Brake cylinder paste, 180 g	1	For fitting hydraulic brake components
B 2	Genuine brake fluid, 1 liter	1	For filling hydraulic brake system
B 3	Genuine brake fluid, 5 liters	1	For filling hydraulic brake system
B 5	Genuine brake fluid, 0.25 liter	1	For filling hydraulic brake system

PARTS LIST FOR TRANSPORTER (SPECIAL MODELS)

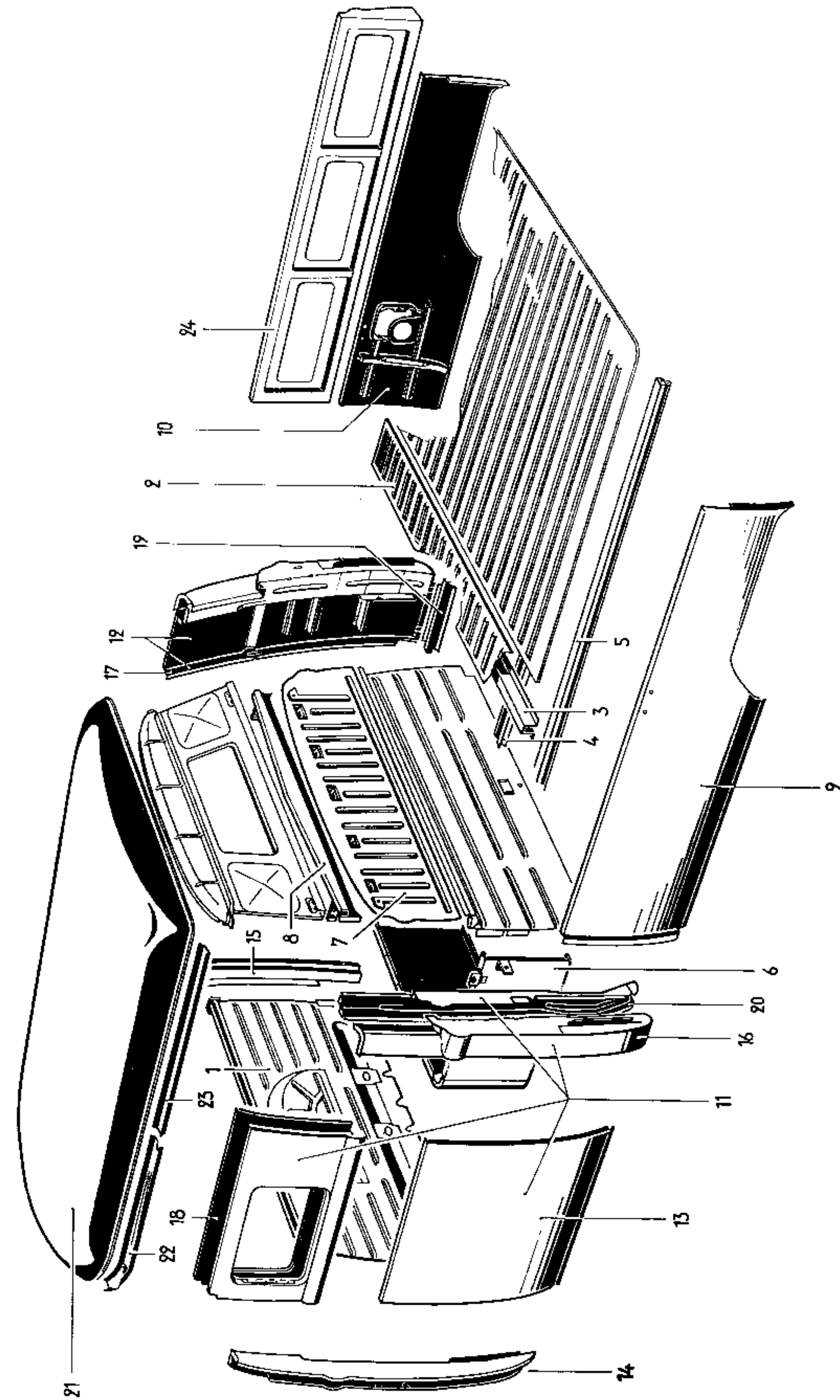
		Illustration
M 16	VW Pick-Up with double cab	59
M 80/M 81	Divided cab partition	62
M 161/M 162 M 163/M 164 M 169	VW Transporter with sliding door	61
M 183/M 184	Divided cab partition	62
M 199	Driver's seat as swivel seat	62
M 200	VW Pick-Up with extended platform	—
M 201	VW Pick-Up with enlarged wooden platform	—
M 207	Tilt and bows – Double cab	60
M 221/M 222	VW High Roofed Delivery Van	63
KW 503	Lining – Roof (hardboard)	—
KW 502	Lining – Side panel (hardboard)	—
98	SP sets	—

735 227 20
Printed in Germany

Printed in Germany 735 204 20



Genuine VW Parts
rigidly factory inspected



Key No.	Part No.	Description	Quantity	Type and model
---------	----------	-------------	----------	----------------

VW PICK-UP WITH DOUBLE CAB M 16

The following spare parts are for the Pick-up with double cab which was built in Volkswagenwerk.

Up to Chassis No. 397 288, as well as a further 35 vehicles between Chassis No. 397 347 and 415 969, the double cabs were built by Messrs. Binz & Co., Lorch/Wuerthl., Germany. These vehicles have a wider cab door.

1		Partition with support	1	
		make from 211 801 081 C		
2	265 801 465	Floor plate, front (loading platform)	1	
-	261 801 475	Floor plate, rear (loading platform)	1	
3	261 801 803	Cross member - Floor	7	
4		Side member, inner, left - Floor plate	1	
		make from 261 801 841 B		
-		Side member, inner, right - Floor plate	1	
		make from 261 801 841 D		
5		Side member, outside left - Floor	1	
		make from 264 801 869		
-		Side member, outside right - Floor	1	
		make from 261 801 870		
6	265 801 903 C	Seat with chest for passenger compartment	1	
7	261 805 431 C	Partition, center, front	1	
8		Cross member - Partition	1	
		make from 261 805 441 B		
-	265 809 041	Side panel, rear, left	1	
		up to Chassis No. 971 549		
9	265 809 041 A	Side panel, left	1	
		from Chassis No. 971 550 up to 215 190 000		
-	265 809 041 B	Side panel, rear, left (louvres inwards)	1	
		from Chassis No. 216 000 001		

SPECIAL MODELS

VW Pick-up with double cab

Key No.	Part No.	Description	Quantity	Type and model
10	265 809 042 A	Side panel, rear, right up to Chassis No. 215 190 000	1	
-	265 809 042 B	Side panel, rear, right (louvres inwards) from Chassis No. 216 000 001	1	
11	265 809 073	Side panel, front, left	1	265
-	268 809 073 A	Side panel, front, left	1	267, 268
12	265 809 074	Side panel, front, right	1	265
-	268 809 074	Side panel, front, right	1	267, 268
13	265 809 167	Side panel, outer, front, lower, left	1	265
-	268 809 168	Side panel, outer, front, lower, right	1	267, 268
-	221 809 179	Hinge - Hinged side window	2	
14	211 809 251 D	Lock pillar, left (up to Chassis No. 1 222 025 is additional required 211 837 295 E, from Chassis No. 1 222 026 up to 216 190 000 is additional required 211 837 295 D)	1	265
-	214 809 251 H	Lock pillar, left (up to Chassis No. 1 222 025 is additional required 211 837 295 E, from Chassis No. 1 222 026 up to 216 190 000 is additional required 211 837 295 D)	1	267, 268
-	211 809 252 A	Lock pillar, right up to Chassis No. 705 619	1	265
15	211 809 252 G	Lock pillar, right from Chassis No. 705 620 (up to Chassis No. 1 222 025 is additional required 211 837 296 C, from Chassis No. 1 222 026 up to 216 190 000 is additional required 211 837 296 B)	1	265
-	214 809 252 D	Lock pillar, right (up to Chassis No. 1 222 025 is additional required 211 837 296 C, from Chassis No. 1 222 026 up to 216 190 000 is additional required 211 837 296 B)	1	267, 268
16	265 809 255	Corner panel, outer for cab, rear, left	1	
-	265 809 256	Corner panel, outer for cab, rear, right	1	
17	265 809 322 A	Lock pillar - Cab door	1	265

SPECIAL MODELS

VW Pick-up with double cab

717

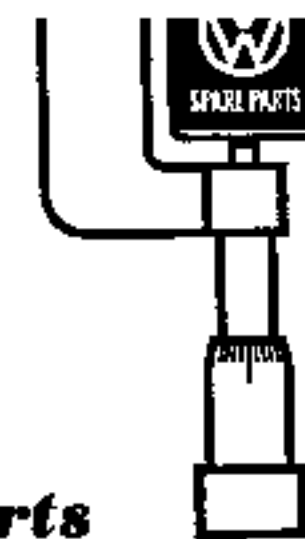
Key No.	Part No.	Description	Quantity	Type and model
3/64 18	265 809 403	Side panel, inner, left with window opening	1	265
3/64 -	268 809 404	Side panel, inner, right with window opening	1	267, 268
19		Reinforcement for sill under double cab door make from 211 809 591 B	1	
20	265 809 931	Corner panel, inner for cab, rear, left	1	
-	265 809 932	Corner panel, inner for cab, rear, right	1	
-	268 809 945	Side panel, rear, inner, left	1	267, 268
-	265 809 946	Quarter panel, inner, right	1	265
21	265 817 023	Roof	1	
22		Frame - Roof, front, left make from 211 817 517 A	1	
-		Frame - Roof, front, right make from 211 817 518 A	1	
23		Frame - Roof, rear, left make from 211 817 537	1	
-		Frame - Roof, rear, right make from 211 817 536	1	
-	265 829 051 A	Dropside, left	1	
24	265 829 052 A	Dropside, right	1	

SPECIAL MODELS

719

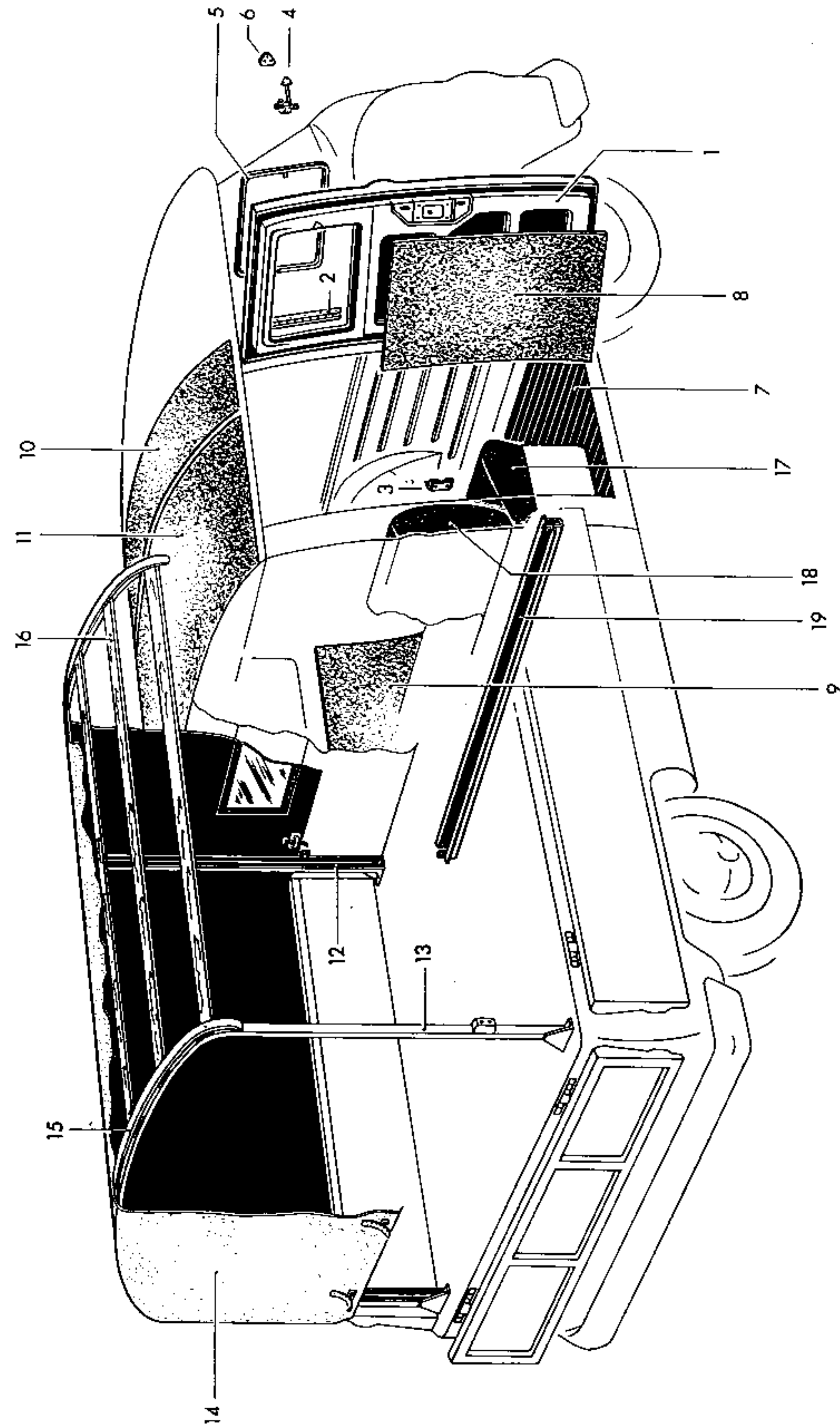
Key No.	Part No.	Description	Quantity	Type and model

Printed in Germany



Genuine VW Parts
rigidly factory inspected

GENUINE



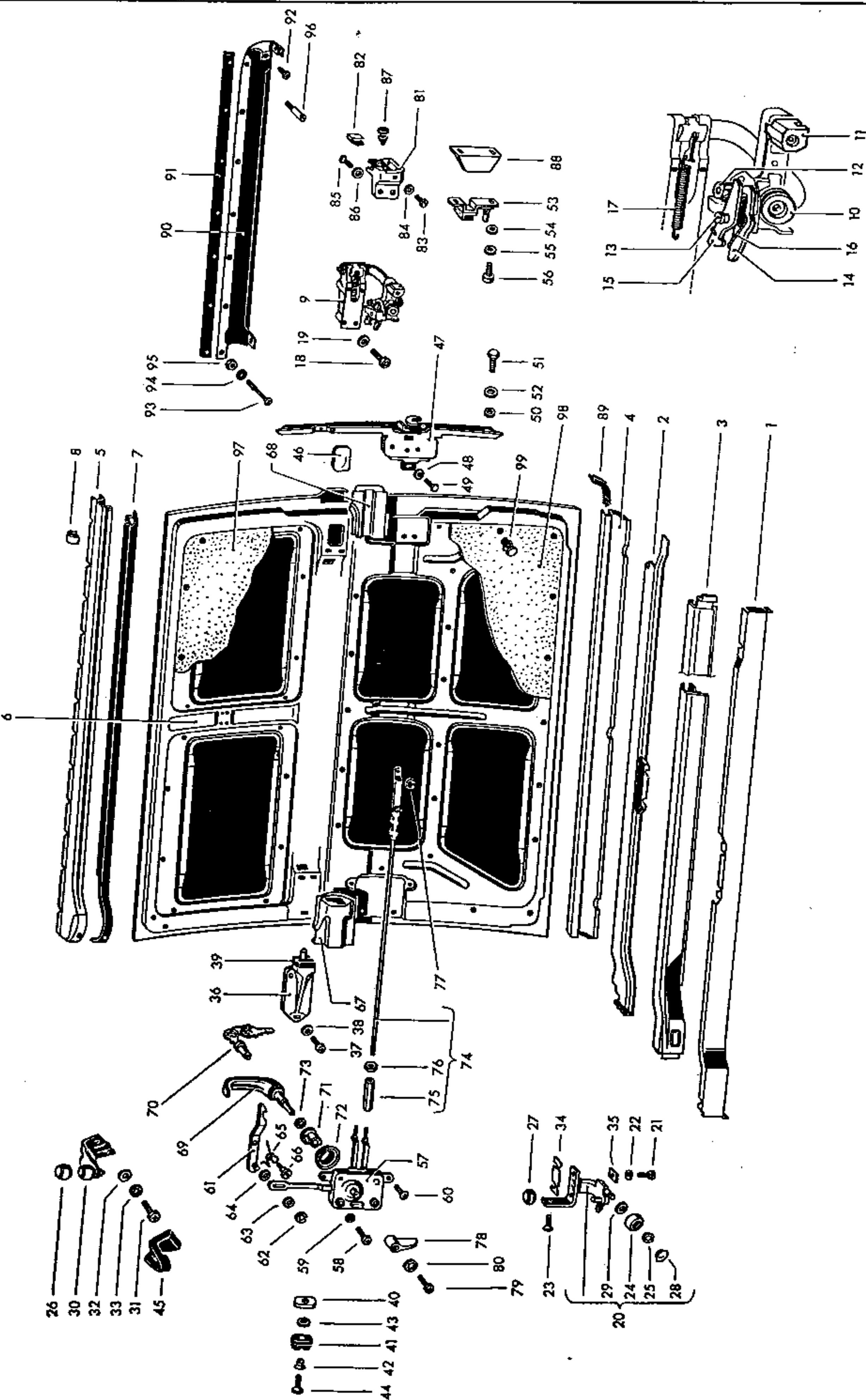
Key No.	Part No.	Description	Quantity	Type and model
-	221 841 081 A	Door - Double cab, right from Chassis No. 397 347 up to 705 619	1	265, 267, 268
-	221 841 081 C	Door - Double cab, right from Chassis No. 705 620 up to 1 019 924	1	265, 267, 268
1	221 841 081 E	Door - Double cab, right from Chassis No. 1 019 925	1	265, 267, 268
2	221 809 179	Hinge - Hinged side window	2	
3	265 841 771	Striker plate - Cab door	1	
-	221 847 081	Fastener - Side window, left and right up to Chassis No. 832 732	2	
4	221 847 081 D	Fastener - Side window, left and right from Chassis No. 832 733	2	
-	265 847 105	Frame - Window (hinged), left and right up to Chassis No. 832 732	2	
5	221 847 105 A	Frame - Window (hinged), left and right from Chassis No. 832 733	2	
6	221 847 219	Threaded plate - Fastener	2	
7	265 863 731	Floor covering - Passenger compartment	1	
8	265 867 203	Lining for cab door	1	
9	265 867 405	Lining for side panel	1	
10	261 867 517	Roof lining - Cab, center	1	
11	265 867 521 A	Lining - Roof (rear)	1	
12	261 871 061	Hoop - Tilt, front	1	M 207
13	261 871 065	Hoop - Tilt, rear	1	M 207
14	265 871 071	Tilt	1	M 207
15	261 871 141	Auxiliary tilt hoop, front and rear	2	M 207
16	265 871 151 A	Slat, tilt hoop connecting	6	M 207

SPECIAL MODELS

VW Pick-up with double cab

723

Key No.	Part No.	Description	Quantity	Type and model
--	211 881 031 A	Seat bench in passenger compartment up to Chassis No. 1 270 002	1	
	11/58 - 3/64	009 grey 58 - 80		
17	265 881 031	Seat bench in passenger compartment from Chassis No. 1 270 003	1	
	4/64 - 7/64	009 grey 58 - 80		
	8/64 -	307 mesh grey/grey - 83		
18	211 881 043	Back - Seat bench in passenger compartment	1	
	11/58 - 7/64	009 grey 58 - 80		
	8/64 -	307 mesh grey/grey - 83		
--	265 881 305 A	Spring cushion - Seat bench 265 881 031	1	
--	211 881 405 A	Cover - Seat bench in passenger compartment ... up to Chassis No. 1 270 002	1	
	11/58 - 3/64	009 grey 58 - 80		
--	211 881 405 B	Cover - Seat bench in passenger compartment ... from Chassis No. 1 270 003 up to 1 328 871	1	
	4/64 - 7/64	009 grey 58 - 80		
--	265 881 405	Cover - Seat bench in passenger compartment ... from Chassis No. 265 000 001	1	
	8/64 -	307 mesh grey/grey - 83		
--	211 881 805	Cover - Seat bench back in passenger compartment up to Chassis No. 1 328 871	1	
	11/58 - 7/64	009 grey 58 - 80		
--	265 881 805 A	Cover - Seat bench back in passenger compartment from Chassis No. 265 000 001	1	
	8/64 -	307 mesh grey/grey - 83		
--	211 881 895 A	Rubber buffer - Seat and seat back in passenger compartment	5	
--	265 885 253	Reinforcement for seat bench in passenger compartment up to Chassis No. 1 270 002	1	
19	265 885 253 A	Reinforcement for seat bench in passenger compartment from Chassis No. 1 270 003	1	



Key No.	Part No.	Description	Quantity	Type and model
---------	----------	-------------	----------	----------------

VW TRANSPORTER WITH SLIDING DOOR
M 161/M 162/M 163/M 164/M 169
from Chassis No. 1 096 222

-	211 800 402 D	Body bare, prime coated	1	M 161: 211
-	221 800 401 L	Body bare, prime coated	1	M 163: 221, M 169: 231
-	241 800 401 L	Body bare, prime coated	1	M 164: 241
-	214 801 391	Side member, left, for floor plate, center	1	213-216, 223, 224, 228, 233, 234, 237, 238, 244
1	211 801 392	Side member, right, for floor plate, center	1	211, 215, 216, 221, 225, 231, 235, 241
-	214 801 395	Reinforcement - Floor plate, left	1	213-216, 223, 224, 228, 233, 234, 237, 238, 244
2	211 801 396	Reinforcement - Floor plate, right	1	211, 215, 216, 221, 225, 231, 235, 241
-	214 801 403 L	Floor plate, left (load compartment)	1	213-216, 223, 224, 228, 233, 234, 237, 238, 244
-	211 801 404 A	Floor plate, right (load compartment)	1	211, 215, 216, 221, 225, 231, 235, 241
-	211 801 404 F	Floor plate, right (load compartment)	1	211, 215, 216, 221, 225, 231, 235, 241
-	211 801 404 L	Floor plate, right (load compartment)	1	211, 215, 216, 221, 225, 231, 235, 241
-	214 801 671	Runner, lower	1	213-216, 223, 224, 228, 233, 234, 237, 238, 244
3	211 801 672	Runner, lower	1	211, 215, 216, 221, 225, 231, 235, 241
-	211 809 032 L	Side panel, right, with hinge and lock pillars	1	211
-	221 809 032 L	Side panel, right, with hinge and lock pillars	1	221, 231

SPECIAL MODELS

VW Transporter with sliding door

Key No.	Part No.	Description	Quantity	Type and model
-	241 809 032 J	Side panel, right, with hinge and lock pillars up to Chassis No. 215 190 000	1	241
-	241 809 032 L	Side panel, right, with hinge and lock pillars from Chassis No. 216 000 001	1	241
-	214 809 091 A	Side panel, left with reinforcements	1	213-216
-	224 809 091 A	Side panel, left with reinforcements	1	223, 224, 228, 233, 234, 237, 238
-	244 809 091 A	Side panel, left with reinforcements	1	244
-	211 809 092 A	Side panel, right with reinforcements	1	211, 215, 216
-	221 809 092 A	Side panel, right with reinforcements	1	221, 225, 231, 235
-	241 809 092 A	Side panel, right with reinforcements	1	241
-	214 809 251 J	Lock pillar, left	1	213-216, 223, 224, 228, 233, 234, 237, 238, 244
-	211 809 252 H	Lock pillar, right	1	211, 215, 216, 221, 225, 231, 235, 241
-	214 809 321 D	Lock pillar, rear left	1	213-216, 223, 224, 228, 233, 234, 237, 238, 244
-	211 809 322 F	Lock pillar, rear right	1	211, 215, 216, 221, 225, 231, 235, 241
-	221 809 441 4/63 -	Cap - Side panel 581 cloud white	x	221-228, 241, 244
4	211 809 585 A	Sill - Sliding door	1	
-	214 809 873	Runner, center - Side panel, left	1	213-216, 223, 224, 228, 233, 234, 237, 244
-	211 809 874	Runner, center - Side panel, right	1	211, 215, 216, 221, 225, 231, 235, 241
-	214 809 901	Sliding door guide - Roof frame	1	213-216, 223, 224, 228, 233, 234, 237, 238, 244
5	211 809 902	Sliding door guide - Roof frame	1	211, 215, 216, 221, 225, 231, 235, 241
-	214 843 105	Sliding door, left	1	213-216

SPECIAL MODELS

VW Transporter with sliding door 727

Key No.	Part No.	Description	Quantity	Type and model
-	224 843 105	Sliding door, left	1	223, 224, 228, 233, 234, 237, 238, 244
6	211 843 106	Sliding door, right	1	211, 215, 216
-	221 843 106	Sliding door, right	1	221, 225, 231, 235, 241
-	224 843 191 4/63 -	Protective strip - Roof frame 581 cloud white	1	223, 224, 228
-	244 843 191 4/63 -	Protective strip - Roof frame 581 cloud white	1	244
7	221 843 192 4/63 -	Protective strip - Roof frame 581 cloud white	1	221, 225
-	241 843 192 4/63 -	Protective strip - Roof frame 581 cloud white	1	241
-	214 843 195	Protective strip - Roof frame	1	213-216, 233, 234, 237, 238
-	211 843 196	Protective strip - Roof frame	1	211, 215, 216, 231, 235
8	221 843 199	Spring - Protective strip	5	221-228
-	241 843 203 4/63 - 7/64 8/64 -	Beading - Protective strip 466 silver beige 581 cloud white	1	241, 244
-	214 843 335	Hinge - Sliding door	1	213-216, 223, 224, 228, 233, 234, 237, 238, 244
9	211 843 336	Hinge - Sliding door	1	211, 215, 216, 221, 225, 231, 235, 241
10	211 843 359 B	Roller with mounting in hinge	1	
-	214 843 367	Guide piece - Sliding door hinge	1	213-216, 223, 224, 228, 233, 234, 237, 238, 244
11	211 843 368	Guide piece - Sliding door hinge	1	211, 215, 216, 221, 225, 231, 235, 241
-	214 843 371 A	Operating cam - Hinge	1	213-216, 223, 224, 228, 233, 234, 237, 238, 244
12	211 843 371 A	Operating cam - Hinge	1	211, 215, 216, 221, 225, 231, 235, 241

SPECIAL MODELS

VW Transporter with sliding door

Key No.	Part No.	Description	Quantity	Type and model
13	211 843 373	Pin - Hinge	1	
14	211 843 377 A	Locking lever, lower - Hinge	1	
15	211 843 379 B	Locking lever, upper - Hinge	1	
16	211 843 381 A	Return spring in hinge	2	
-	211 843 395	Spring in hinge up to Chassis No. 215 190 000	1	
17	211 843 395 A	Spring in hinge from Chassis No. 216 000 001	1	
18	N 14 703 2	Screw, cheese head M 6x18 DIN 912 galvanized	4	
19	N 12 234 1	Spring washer B 7 DIN 137	4	
-	214 843 405	Roller guide, lower	1	213-216, 223, 224, 228, 233, 234, 237, 238, 244
20	211 843 406	Roller guide, lower	1	211, 215, 216, 221, 225, 231, 235, 241
21	N 14 705 1	Screw, cheese head M 6x25 DIN 912 galvanized	2	
22	N 12 026 1	Lock washer 6 DIN 7980	2	
23	N 14 289 2	Screw, countersunk raised head AM 8x18 DIN 7988 galvanized	1	
24	211 843 419	Support roller, lower	1	
25	N 12 407 1	Lock ring 7x0.8 DIN 471	1	
26		no longer available		
27	211 843 425 A	Guide roller, lower	1	
28	211 843 429	Dust cap - Support roller, lower	1	
29	211 843 433	Dust ring - Roller guide, lower	1	
-	214 843 435 A	Roller guide, upper	1	213-216, 223, 224, 228, 233, 234, 237, 238, 244
30	211 843 436 A	Roller guide, upper	1	211, 215, 216, 221, 225, 231, 235, 241
31	N 14 140 5	Screw, fillister head AM 6x15 DIN 7985 galvanized	2	
32	N 11 524 1	Washer A 6.4 DIN 125	2	
33	N 12 105 1	Spring washer A 6.4 DIN 6798	2	

SPECIAL MODELS

VW Transporter with sliding door

729

Key No.	Part No.	Description	Quantity	Type and model
34	211 843 447	Spacer plate - Roller guide, lower	x	
35	211 843 449	Square washer - Roller guide, lower	2	
-	214 843 451	Locking pin	1	213-216, 223, 224, 228, 233, 234, 237, 238, 244
36	211 843 452 A	Locking pin	1	211, 215, 216, 221, 225, 231, 235, 241
37	N 14 140 5	Screw, fillister head AM 6x15	3	
38	N 12 226 2	Spring washer B 6	3	
39	211 843 461	Rubber buffer - Locking pin	1	
40	211 843 467 A	Cage - Rubber buffer	1	
41	211 843 471	Buffer - Sliding door	1	
42	211 843 475	Bush - Rubber buffer	1	
-	211 843 479	Shim - Rubber buffer	x	
43	N 11 524 4	Washer A 6.4	1	
44	N 14 279 2	Screw, countersunk raised head AM 6x20	1	
-	214 843 485	Cover - Roller guide, upper	1	
	463 - 7164	466 silver beige - 75, 80, 81		
	8164 -	581 cloud white - 70, 71, 72, 83		
45	211 843 486	Cover - Roller guide, upper	1	
	463 - 7164	466 silver beige - 75, 80		
	463 - 7164	395 ice blue - 81		
	8164 -	581 cloud white - 70, 71, 72, 83		
46	211 843 495	Cover	1	
-	214 843 603 A	Central lock	1	213-216, 223, 224, 228, 233, 234, 237, 238, 244
47	211 843 604 A	Central lock	1	211, 215, 216, 221, 225, 231, 235, 241
48	211 805 243	Spring washer	1	

SPECIAL MODELS

VW Transporter with sliding door

Key No.	Part No.	Description	Quantity	Type and model
49	N 10 212 3	Bolt, hex. head M 6×12	1	
50	N 12 008 2	Lock washer B 8	2	
51	N 10 240 4	Bolt, hex. head M 8×20	2	
52	N 11 526 2	Washer B 8.4	2	
-	214 843 635 A	Striker plate - Central lock	1	213-216, 223, 224, 228, 233, 234, 237, 238, 244
53	211 843 636 A	Striker plate - Central lock	1	211, 215, 216, 221, 225, 231, 235, 241
54	N 11 558 1	Washer B 8.4	2	
55	N 12 008 2	Lock washer B 8	2	
56	N 14 709 1	Screw, cheese head M 8×22	2	
-	214 843 653 A	Remote control - Door lock	1	213-216
-	214 843 653 C	Remote control - Door lock	1	223, 224, 228, 233, 234, 237, 238, 244
-	211 843 654 A	Remote control - Door lock	1	211, 215, 216
57	211 843 654 C	Remote control - Door lock	1	221, 225, 231, 235, 241
58	N 14 141 2	Screw, fillister head AM 6×18	2	
59	N 12 006 2	Lock washer B 6	2	
60	N 14 228 1	Screw, countersunk head AM 6×12	2	
-	214 843 671 B	Retaining hook - Door	1	213-216, 223, 224, 228, 233, 234, 237, 238, 244
61	211 843 672 B	Retaining hook - Door	1	211, 215, 216, 221, 225, 231, 235, 241
62	N 12 435 1	Spring washer 5	1	
63	N 12 234 1	Spring washer B 7	1	
64	N 11 652 1	Washer 7	1	

SPECIAL MODELS

VW Transporter with sliding door 731

Key No.	Part No.	Description	Quantity	Type and model
-	214 843 681 B	Return spring	1	213-216, 223, 224, 228, 233, 234, 237, 238, 244
65	211 843 682 B	Return spring	1	211, 215, 216, 221, 225, 231, 235, 241
66	211 843 685 B	Mounting screw - Retaining hook	1	
-	311 711 227	Washer 10×16 - Mounting screw	1	
-	224 843 697	Protective strip front - Sliding door	1	223, 224, 228, 244
	4/63 - 7/64	466 silver beige - 75, 80		
	4/63 - 7/64	395 ice blue - 81		
	8/64 -	581 cloud white - 70, 71, 83		
	8/65 -	680 cumulus white - 72		
67	221 843 698	Protective strip front - Sliding door	1	221, 225, 241
	4/63 -	581 cloud white - 70, 71, 75, 80, 81, 83		
	8/65 -	680 cumulus white - 72		
-	224 843 699	Protective strip rear - Sliding door	1	223, 224, 228, 244
	4/63 - 7/64	466 silver beige - 75, 80		
	4/63 - 7/64	395 ice blue - 81		
	8/64 -	581 cloud white - 70, 71, 83		
	8/65 -	680 cumulus white - 72		
68	221 843 700	Protective strip rear - Sliding door	1	221, 225, 241
	4/63 - 7/64	466 silver beige - 75, 80		
	4/63 - 7/64	395 ice blue - 81		
	8/64 -	581 cloud white - 70, 71, 83		
	8/65 -	680 cumulus white - 72		
-	211 843 703 E	Door handle - Sliding door up to Chassis No. 216 190 000	1	
69	211 843 703 J	Door handle - Sliding door from Chassis No. 217 000 001	1	
-	211 843 703 L	Door handle - Sliding door	1	M 145: 211
-	211 843 707	Washer - Escutcheon 211 843 711 E	1	M 145: 211
-	211 843 709 B	Lock cylinder with keys up to Chassis No. 216 190 000	1	
70	211 843 709 D	Lock cylinder with keys from Chassis No. 217 000 001	1	
-	111 837 219 A	Key - Door handle profile T and L (quote indented number)	2	
71	211 843 711 H	Escutcheon - Door handle 211 843 703 E/J	1	
-	211 843 711 K	Escutcheon - Door handle 211 843 703 G/L	1	M 145: 211
72	211 843 713 A	Washer - Escutcheon	1	
73	211 843 715	Grommet - Escutcheon	1	

SPECIAL MODELS

VW Transporter with sliding door

Key No.	Part No.	Description	Quantity	Type and model
74	211 843 719 A	Pull rod - Remofe control	2	
75	211 843 727	Threaded sleeve - Pull rod	2	
76	211 843 737	Nut, hex. M 5.5x0.75	2	
77	N 12 436 2	Lock washer 6 DIN 6799 galvanized	2	
78	211 843 735	Lever - Sliding door	1	211-216
-	211 843 641	Door handle, inner	1	221-244
79	N 14 130 1	Screw, fillister head AM 5x11 DIN 7985 galvanized	1	
80	N 12 126 1	Shake-proof washer I 5.3 DIN 6797	1	
-	214 843 741 A	Retainer up to Chassis No. 217 073 696	1	213-216, 223, 224, 228, 233, 234, 237, 238, 244
-	214 843 741 C	Retainer from Chassis No. 217 073 697	1	213-216, 223, 224, 228, 233, 234, 237, 238, 244
-	211 843 742 A	Retainer up to Chassis No. 217 073 696	1	211, 215, 216, 221, 225, 231, 235, 241
81	211 843 742 C	Retainer from Chassis No. 217 073 697	1	211, 215, 216, 221, 225, 231, 235, 241
82	211 843 747	Clip - Retainer	1	
		up to Chassis No. 215 052 000		
83	N 14 140 5	Screw, fillister head AM 6x15 DIN 7985 galvanized	1	
84	N 12 226 2	Spring washer B 6 DIN 137 galvanized	1	
-	N 14 277 1	Screw, countersunk raised head AM 6x15 DIN 7988 galvanized	2	
85	N 10 240 2	Bolt, hex. head M 8x20 DIN 933 galvanized	2	
-	N 12 128 2	Shake-proof washer V 6.4 DIN 6797 galvanized	2	
86	N 12 241 2	Spring washer B 8x15 DIN 137 galvanized	2	
87	211 843 749	Rubber buffer - Retainer	1	
88	221 843 781	Cover - Central lock striker plate	1	221-228, 241, 244
89	211 843 791	Weatherstrip - Sliding door	1	
-	214 843 795	Cover - Center runner	1	213-216, 223, 224, 228, 233, 234, 237, 238, 244
90	211 843 796	Cover - Center runner	1	211, 215, 216, 221, 225, 231, 235, 241
91	211 843 799 A	Seal - Cover	1	
92	N 14 130 1	Screw, fillister head AM 5x11 DIN 7985 galvanized	6	211-216, 231-238
93	N 14 272 1	Screw, countersunk raised head BM 5x60 DIN 7988 galvanized	1	

SPECIAL MODELS

VW Transporter with sliding door

733

Key No.	Part No.	Description	Quantity	Type and model
94	N 12 104 2	Lock washer A 5.3	1	
95	N 11 005 2	Nut, hex. M 5	1	
96	221 843 815	Screw (shouldered) - Cover	5	221-228, 241, 244
-	221 809 441 4/63 -	Cap - Side panel	x	221-228, 241, 244
		581 cloud white		
-	211 853 611 A	Rubber - Cover	6	
-	N 11 523 3	Washer A 5.3	6	
-	221 845 305 C	Glass - Window in sliding door	1	221-244
-	221 847 105 B	Frame for hinged window in sliding door	1	221-244
-	224 847 085 A	Fastener - Sliding door window	1	223, 224, 228, 233, 234, 237, 238, 244
-	221 847 086 C	Fastener - Sliding door window	1	221, 225, 231, 235, 241
-	221 847 277 A	Rubber packing - Sliding door window fastener	2	221-244
-	221 853 073 A	Molding, upper - Sliding door trim panel	1	221-228, 241, 244
-	221 853 077 A	Molding, lower - Sliding door trim panel	1	221-228, 241, 244
-	244 853 531	Molding - Sliding door	1	244
-	241 853 532	Molding - Sliding door	1	241
-	244 853 535	Molding - Side panel part, left	1	244
-	241 853 536	Molding - Side panel part, right	1	241
-	241 853 545	Molding - Corner panel (sliding door side)	1	241, 244
-	N 13 792 3	Tubular rivet 4x0.4x7	x	241, 244
-	111 837 637	Washer	x	241, 244
-	224 867 027 4/63 - 7/64 8/64 - 8/65 - 8/65 - 8/65 -	Trim panel, lower - Sliding door	1	223, 224, 228, 244
		291 phosphor/come green - 81		
		307 mesh grey/grey - 83		
		492 aeropapyrus white/steel - 72		
		493 aerobalearic/sienna beige - 71		
		494 mesh platinum/platinum silver - 70		

SPECIAL MODELS

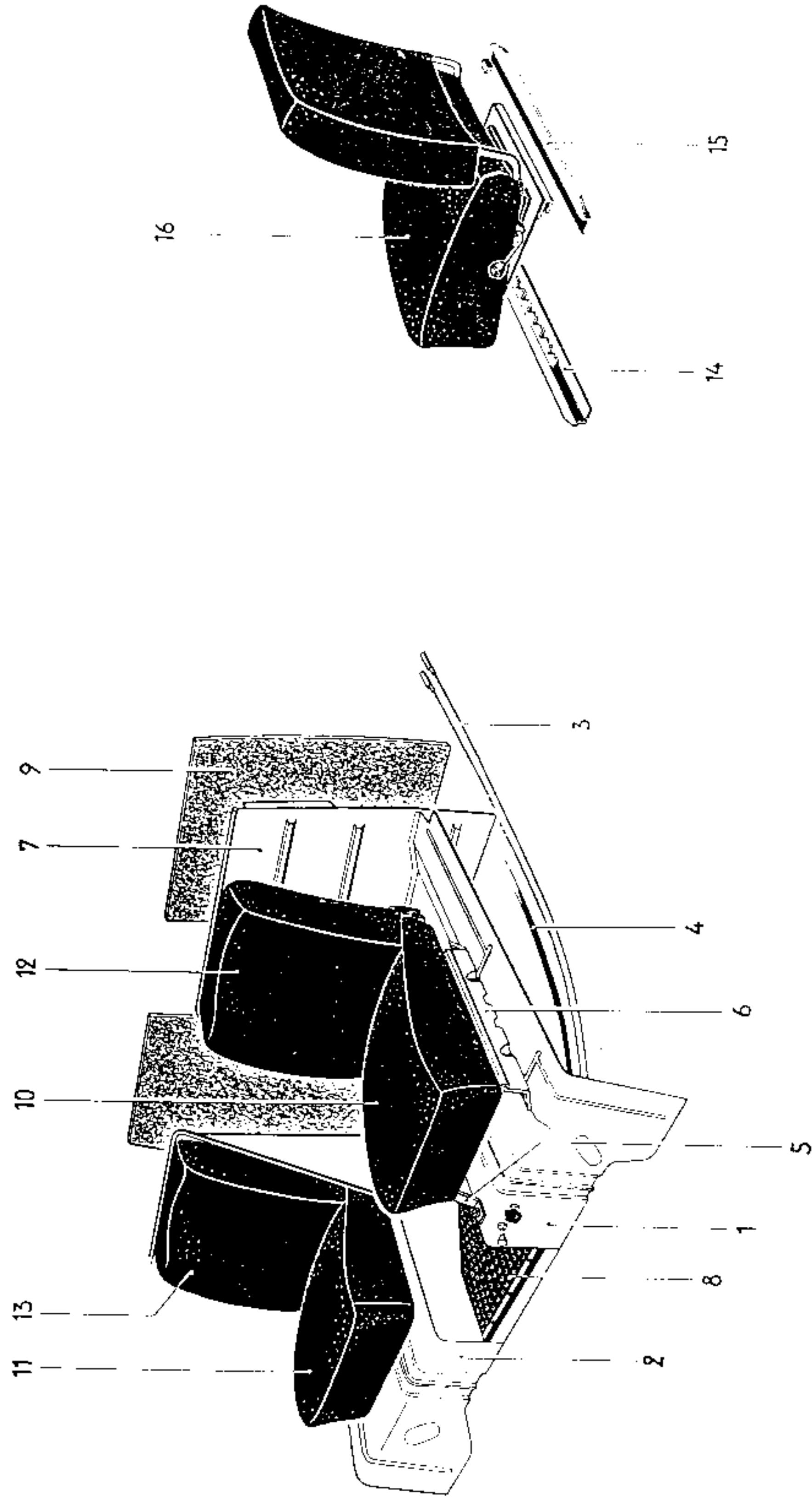
VW Transporter with sliding door

735

Key No.	Part No.	Description	Quantity	Type and model
-	221 867 028	Trim panel, lower - Sliding door	1	221, 225, 241
	4/63 - 7/64	291 phosphor/como green - 81		
	8/64 -	307 mesh grey/grey - 83		
	8/65 -	492 aeropapyrus white/steel - 72		
	8/65 -	493 aerobaleartic/sienna beige - 71		
	8/65 -	494 mesh platinum/platinum silver - 70		
97	211 867 201	Trim panel, upper - Sliding door	2	211-216
-	214 867 203	Trim panel, lower - Sliding door	1	213-216, 233, 234, 237, 238
98	211 867 204	Trim panel, lower - Sliding door	1	211, 215, 216, 231, 235
-	221 867 499 C	Lining - Roof, side panel and sliding door	1	221
	8/63 - 9/64	from Chassis No. 1 144 282 up to 225 035 227 581 cloud white		
-	223 867 499 C	Lining - Roof, side panel and sliding door	1	223, 224
	8/63 - 9/64	from Chassis No. 1 144 282 up to 225 035 227 581 cloud white		
-	225 867 499 B	Lining - Roof, side panel, sliding door and sliding roof	1	225
	8/63 - 9/64	from Chassis No. 1 144 282 581 cloud white		
-	221 867 501 K	Lining - Roof (leatherette)	1	221
	4/63 -	581 cloud white		
-	223 867 501 F	Lining - Roof (leatherette)	1	223, 224
	4/63 -	581 cloud white		
-	225 867 505 D	Lining - Roof (front and sides) (leatherette)	1	225
	4/63 -	581 cloud white		
-	228 867 505 D	Lining - Roof (front and sides) (leatherette)	1	228
	4/63 -	581 cloud white		
-	241 867 505 D	Lining - Roof (front and sides) (leatherette)	1	241
	4/63 -	581 cloud white - 70, 71, 75, 80, 81, 83		
	8/65 -	680 cumulus white - 72		
-	244 867 505 D	Lining - Roof (front and sides) (leatherette)	1	244
	4/63 -	581 cloud white - 70, 71, 75, 80, 81, 83		
	8/65 -	680 cumulus white - 72		
99	211 867 615 A	Clip - Trim panel	40	211-216, 231-238
-	221 867 615 B	Clip - Trim panel on sliding door	4	221-228, 241, 244

SPECIAL MODELS

Divided cab partition
Driver's seat as swivel seat



SPECIAL MODELS

Divided cab partition

737

Key No.	Part No.	Description	Quantity	Type and model
DIVIDED CAB PARTITION M 80/M 81 M 183/M 184				
-	211 703 595	Support for driver's seat (LHD) up to Chassis No. 971 549	1	
1	211 703 595 A	Support for driver's seat (LHD) from Chassis No. 971 550	1	M 80, M 81
2	211 703 600	Support for passenger's seat (LHD)	1	M 80, M 81
-	214 703 600	Support for driver's seat (RHD)	1	M 183, M 184
3	211 711 629 C	Cable - Heating control (length 5750 mm)	1	
4	211 711 705 A	Bowden cable - Fuel tap (length 2815 mm)	1	
5	211 801 240	Lower runner, right for driver's seat	1	M 80, M 81
6	211 801 239 B	Lower runner, left for driver's seat	1	M 80, M 81
7	211 801 505 A	Partition, left (LHD) up to Chassis No. 767 800 ...	1	M 80, M 81
-	211 801 505 C	Partition, left (LHD) from Chassis No. 767 801	1	M 80, M 81
-	214 801 505 A	Partition, left (RHD)	1	
-	211 801 506 A	Partition, right (LHD)	1	
-	214 801 506 A	Partition, right (RHD)	1	
-	211 809 173 D	Side panel upper part, left	1	
-	211 809 174 B	Side panel upper part, right up to Chassis No. 705 619	1	
-	211 809 174 D	Side panel upper part, right from Chassis No. 705 620	1	
8	211 863 781	Floor mat for passage	1	
-	241 867 707 A	Lining - Partition, left (LHD) up to Chassis No. 767 800 291 phosphor/como green	1	M 81
	3/61 - 4/61			

SPECIAL MODELS

Divided cab partition

Key No.	Part No.	Description	Quantity	Type and model
9	241 867 707 B	Lining - Partition, left (LHD) from Chassis No. 767 801 307 mesh grey/grey - 83 492 aeropapyrus white/steel - 72 493 aerobalealic/sienna beige - 71 494 mesh platinum/platinum silver - 70	1	M 81
-	8/64 - 8/65 - 8/65 - 8/65 -			
-	241 867 708 A	Lining - Partition, right (LHD) 292 silver beige/basalt grey - 75, 80 307 mesh grey/grey - 83 492 aeropapyrus white/steel - 72 493 aerobalealic/sienna beige - 71 494 mesh platinum/platinum silver - 70	1	M 81
-	4/61 - 7/64 8/64 - 8/65 - 8/65 - 8/65 -			
10	211 881 071 B	Driver's seat (LHD) (sliding seat) up to Chassis No. 971 549 009 grey 58 - 80	1	M 80
-	8/57 - 7/62			
-	211 881 031 C	Driver's seat (LHD) (sliding seat) from Chassis No. 971 550 009 grey 58 - 80 307 mesh grey/grey - 83	1	M 80
-	8/57 - 7/64 8/64 -			
-	214 881 071 B	Driver's seat (RHD) 009 grey 58 - 80 307 mesh grey/grey - 83	1	M 183
-	8/57 - 7/64 8/64 -			
11	211 881 072 C	Passenger's seat (LHD) 009 grey 58 - 80 307 mesh grey/grey - 83	1	M 80
-	8/57 - 7/64 8/64 -			
-	214 881 072 B	Passenger's seat (RHD) 009 grey 58 - 80 307 mesh grey/grey - 83	1	M 183
-	8/57 - 7/64 8/64 -			
12	211 881 073 A	Backrest - Driver's seat up to Chassis No. 971 549 009 grey 58 - 80	1	M 80
-	8/57 - 7/64			
-	211 881 041 B	Backrest - Driver's seat from Chassis No. 971 550 009 grey 58 - 80 307 mesh grey/grey - 83	1	M 80
-	8/62 - 7/64 8/64 -			
-	214 881 073 A	Backrest - Drivers seat (RHD) 009 grey 58 - 80 307 mesh grey/grey - 83	1	M 183
-	8/57 - 7/64 8/64 -			
13	211 881 074 A	Backrest - Passenger's seat (LHD) 009 grey 58 - 80 307 mesh grey/grey - 83	1	M 80
-	8/57 - 7/64 8/64 -			

SPECIAL MODELS

Divided cab partition

739

Key No.	Part No.	Description	Quantity	Type and model
-	214 881 074 A	Backrest - Passenger's seat (RHD) 009 grey 58 - 80 307 mesh grey/grey - 83	1	M 183
-	8/57 - 7/64 8/64 -			
-	221 881 071 B	Driver's seat (LHD) (sliding seat) up to Chassis No. 971 549 388 como green - 81 467 basalt grey - 80 292 silver beige/basalt grey - 75	1	M 81
-	3/61 - 7/62 3/61 - 7/62 3/61 - 7/62			
-	221 881 031 E	Driver's seat from Chassis No. 971 550 388 como green - 81 467 basalt grey - 80 292 silver beige/basalt grey - 75 307 mesh grey/grey - 83 492 aeropapyrus white/steel - 72 493 aerobalealic/sienna beige - 71 494 mesh platinum/platinum silver - 70	1	M 81
-	8/62 - 7/64 8/62 - 7/64 8/62 - 7/64 8/64 - 8/65 - 8/65 - 8/65 -			
-	224 881 071 B	Driver's seat (RHD) 307 mesh grey/grey - 83 492 aeropapyrus white/steel - 72 493 aerobalealic/sienna beige - 71 494 mesh platinum/platinum silver - 70	1	M 184
-	8/64 - 8/65 - 8/65 - 8/65 -			
-	221 881 072 C	Passenger's seat (LHD) 307 mesh grey/grey - 83 492 aeropapyrus white/steel - 72 493 aerobalealic/sienna beige - 71 494 mesh platinum/platinum silver - 70	1	M 81
-	8/64 - 8/65 - 8/65 - 8/65 -			
-	224 881 072 B	Passenger's seat (RHD) 388 como green - 81 467 basalt grey - 80 292 silver beige/basalt grey - 75 307 mesh grey/grey - 83 492 aeropapyrus white/steel - 72 493 aerobalealic/sienna beige - 71 494 mesh platinum/platinum silver - 70	1	M 184
-	3/61 - 7/64 3/61 - 7/64 3/61 - 7/64 8/64 - 8/65 - 8/65 - 8/65 -			
-	221 881 073 A	Backrest - Driver's seat 221 881 071 B up to Chassis No. 971 549 388 como green - 81 467 basalt grey - 80 292 silver beige/basalt grey - 75	1	M 81
-	3/61 - 7/62 3/61 - 7/62 3/61 - 7/62			
-	221 881 073 A	Backrest - Driver's seat (RHD) 388 como green - 81 467 basalt grey - 80 292 silver beige/basalt grey - 75 307 mesh grey/grey - 83 492 aeropapyrus white/steel - 72 493 aerobalealic/sienna beige - 71 494 mesh platinum/platinum silver - 70	1	M 184
-	3/61 - 7/64 3/61 - 7/64 3/61 - 7/64 8/64 - 8/65 - 8/65 - 8/65 -			

SPECIAL MODELS

Divided cab partition

Key No.	Part No.	Description	Quantity	Type and model
-	221 881 041 C	Backrest - Driver's seat from Chassis No. 971 550	1	M 81
	8/62 - 7/64	388 como green - 81		
	8/62 - 7/64	467 basalt grey - 80		
	8/62 - 7/64	292 silver beige/basalt grey - 75		
	8/64 -	307 mesh grey/grey - 83		
	8/65 -	492 aeropapyrus white/steel - 72		
	8/65 -	493 aerobalearic/sienna beige - 71		
	8/65 -	494 mesh platinum/platinum silver - 70		
-	221 881 074 A	Backrest - Passenger's seat (LHD) 307 mesh grey/grey - 83	1	M 81
	8/64 -	492 aeropapyrus white/steel - 72		
	8/65 -	493 aerobalearic/sienna beige - 71		
	8/65 -	494 mesh platinum/platinum silver - 70		
-	224 881 074 A	Backrest - Passenger's seat (RHD) 388 como green - 81	1	M 184
	3/61 - 7/64	467 basalt grey - 80		
	3/61 - 7/64	292 silver beige/basalt grey - 75		
	8/64 -	307 mesh grey/grey - 83		
	8/65 -	492 aeropapyrus white/steel - 72		
	8/65 -	493 aerobalearic/sienna beige - 71		
	8/65 -	494 mesh platinum/platinum silver - 70		

SPECIAL MODELS

Driver's seat as swivel seat
VW Pick-up with extended platform

Key No.	Part No.	Description	Quantity	Type and model
DRIVER'S SEAT AS SWIVEL SEAT				
from Chassis No. 423 157 up to 1 328 271				
M 199: 211, 213, 214				
14	211 703 661	Lower runner with ratchet (LHD)	1	
-	214 703 661	Lower runner with ratchet (RHD)	1	
15	211 703 665	Lower runner without ratchet (LHD)	1	
-	214 703 665	Lower runner without ratchet (RHD)	1	
16		no longer available		
VW PICK-UP WITH EXTENDED PLATFORM				
from Chassis No. 400 552				
M 200: 261-264				
-	261 801 095 A	Extension for loading platform, left	1	
-	261 801 096 A	Extension for loading platform, right	1	
-	261 809 665	Cover for indicator slot	2	
-	261 827 401	Spring - Engine compartment lid an side panel lid from Chassis No. 1 222 026	2	
-	113 853 615	Rubber seal - Cover	2	
-	261 829 055 A	Tailboard	1	
-	261 829 453 A	Hook front - Dropside, left	1	
-	261 829 454 A	Hook front - Dropside, right	1	
-	261 857 509	Rear view mirror, outside (driver's side)	1	
-	261 857 511	Rear view mirror, outside (passenger's side)	1	
-	261 953 021	Direction indicator .. up to Chassis No. 614 455	2	

SPECIAL MODELS

VW Pick-up with enlarged wooden platform

743

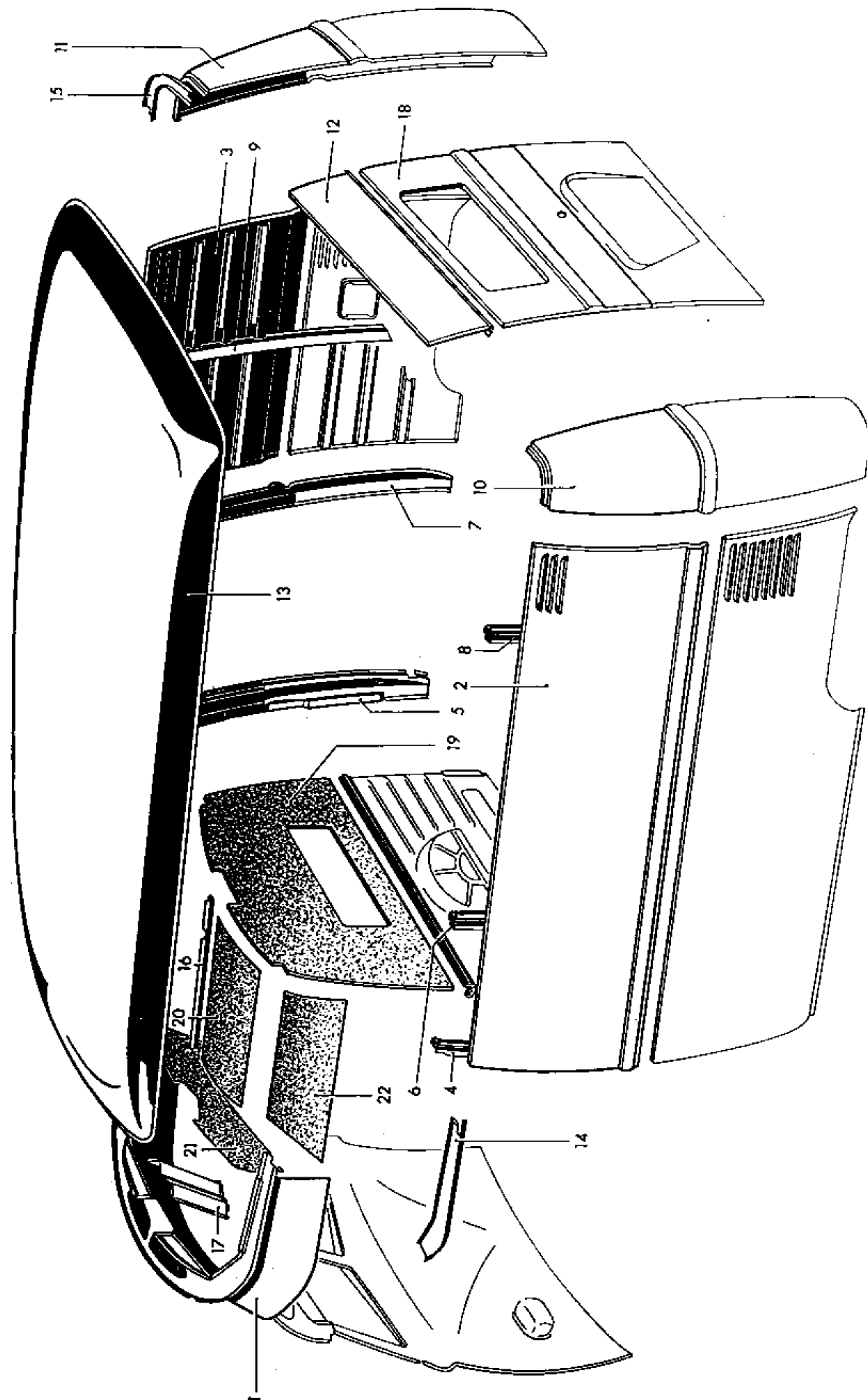
Key No.	Part No.	Description	Quantity	Type and model
---------	----------	-------------	----------	----------------

VW PICK-UP WITH ENLARGED WOODEN PLATFORM

from Chassis No. 400 397

M 201: 261-264

-	261 800 231	Wooden platform	1	
-	261 800 237	Dropside	2	
		up to Chassis No. 266 078 578		
-	261 800 237 A	Dropside	2	
		from Chassis No. 266 078 579		
-	261 800 239	Tailboard	1	
		up to Chassis No. 266 078 578		
-	261 800 239 A	Tailboard	1	
		from Chassis No. 266 078 579		
-	261 800 241 B	Front board for wooden platform	1	
-	261 800 243	Floor for wooden platform	1	
		up to Chassis No. 266 078 578		
-	261 800 243 A	Floor for wooden platform	1	
		from Chassis No. 266 078 579		



745

Key No.	Part No.	Description	Quantity	Type and model
VW HIGH ROOFED DELIVERY VAN M 221/M 222				
1	211 805 043	Front panel extension	1	
2	211 809 173 E	Side panel upper part, left	1	211 M 222
-	214 809 173 F	Side panel upper part, left	1	213, 214 M 221/M 222
3	211 809 174 E	Side panel upper part, right	1	211 M 222; 213, 214 M 221
-	214 809 174 E	Side panel upper part, right	1	213, 214 M 222
4	211 809 251 A	Lock pillar, left	1	211 M 222
-	214 809 251 D	Lock pillar, left	1	213, 214 M 221/M 222
5	211 809 252 C	Lock pillar, right	1	
6	211 809 311 C	Reinforcement pillar front - Side panel	2	
-	214 809 321 B	Hinge pillar - Door wing	1	213, 214 M 221/M 222
7	211 809 322 D	Hinge pillar - Door wing	1	211 M 222
8	211 809 341 C	Reinforcement pillar rear - Side panel, left	1	
9	211 809 342 C	Reinforcement pillar rear - Side panel, right	1	
-	214 809 416	Frame channel, front	1	213, 214 M 221
-	214 809 424	Frame channel, rear	1	213, 214 M 221
-	214 809 430	Frame channel, lower	1	213, 214 M 221
10	211 813 851	Rear panel corner part, upper left	1	
11	211 813 852	Rear panel corner part, upper right	1	

795 032 20

Printed in Germany

SPECIAL MODELS

VW High Roofed Delivery Van

Key No.	Part No.	Description	Quantity	Type and model
12	211 813 859	Rear panel upper part	1	
13	211 817 021 B	Roof with air duct	1	
14	211 817 519 B	Roof frame, lower front left	1	
-	211 817 520 B	Roof frame, lower front right	1	
-	214 817 538	Roof frame, center with frame channel	1	213, 214 M 221
15		Frame corner, rear - Roof make from 211 817 573	2	
-	214 817 616	Drip rail	1	213, 214 M 221
-	214 817 624	Seal for drip rail	1	213, 214 M 221
16	211 817 685	Retaining rail - Roof lining	x	
17	211 817 709	Extension - Air duct	1	
-	214 829 042	Sales flap	1	213, 214 M 221
18	211 829 105 D	Rear panel lid	1	
-	214 829 884	Hinge	2	213, 214 M 221
-	214 829 906	Lever lower, front	1	213, 214 M 221
-	214 829 908	Lever lower, rear	1	213, 214 M 221
-	214 829 930	Lever upper, front	1	213, 214 M 221
-	214 829 932	Lever upper, rear	1	213, 214 M 221
-	214 829 946	Special screw - Lever	2	213, 214 M 221
-	214 829 950	Spring - Sales flap	2	213, 214 M 221
-	214 829 952	Front catch - Sales flap	1	213, 214 M 221

SPECIAL MODELS

VW High Roofed Delivery Van

Key No.	Part No.	Description	Quantity	Type and model
-	214 829 954	Rear catch - Sales flap	1	213, 214 M 221
-	214 829 978	Seal - Sales flap	1	213, 214 M 221
-	214 829 986	Knob - Lever	2	213, 214 M 221
-	211 841 081 G	Door wing, front right and rear left resp.	1	
-	211 841 091 G	Door wing, rear right and front left resp.	1	
-	211 841 501 C	Hinge, upper - Door wing, front right and rear left resp.	1	
-	211 841 531 C	Hinge, upper - Door wing, rear right and front left resp.	1	
19	211 863 051 B	Partition between cab and loading compartment	1	
20	211 867 515 A	Roof lining left and right for cab	2	
21	211 867 519	Roof lining, front - Cab	1	
22	211 867 521	Roof lining, left side - Cab	1	
-	211 867 522	Roof lining, right side - Cab	1	

747

Printed in Germany 735 227 20

SPECIAL MODELS**Interior trimming of hardboard**

Key No.	Part No.	Description	Quantity	Type and model
---------	----------	-------------	----------	----------------

749

**INTERIOR TRIMMING
OF HARDBOARD****LINING - ROOF
M 503**

-	211 898 161	Lining - Roof (Types 211-261, 231-234)	1	
---	-------------	--	---	--

**LINING - SIDE PANEL
M 502**

-	211 898 163	Lining - Side panel (Type 211)	1	
		from Chassis No. 20 - 117 902		

-	231 898 163	Lining - Side panel (Types 231, 235)	1	
		from Chassis No. 20-117 902		

795 227 20

Printed in Germany