

# MAIN GROUP

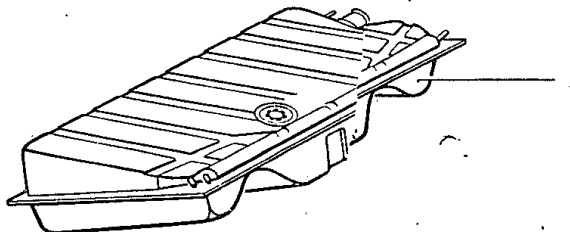
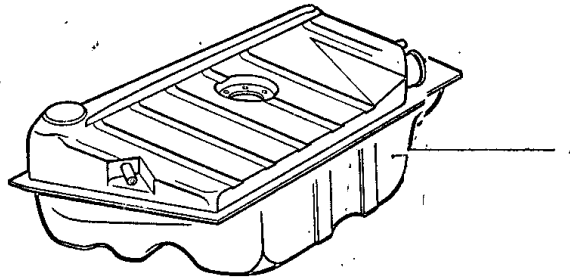
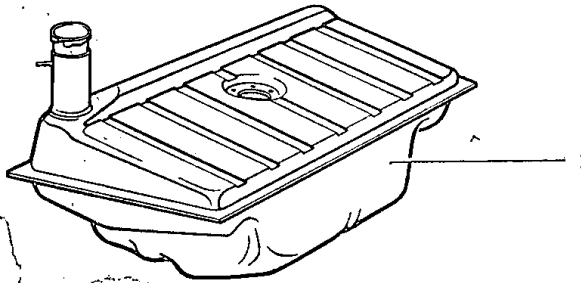
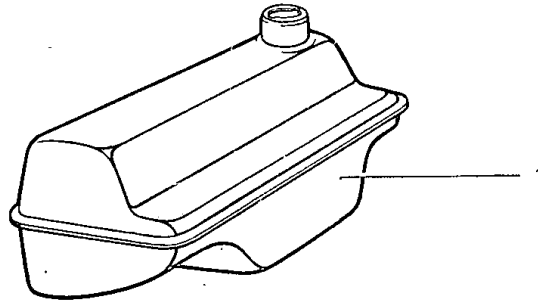
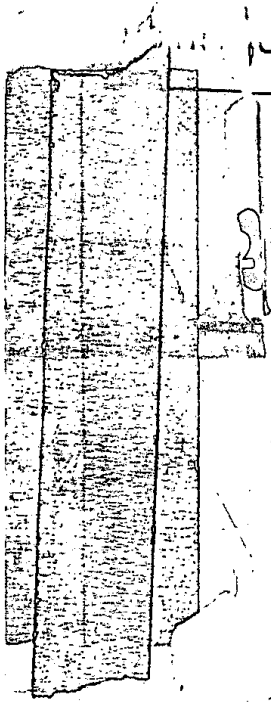
## FUEL TANK EXHAUST SYSTEM HEATING SYSTEM

01	Fuel tank	11
01	Fuel filler	12
01	Activated carbon container	13
09	Fuel tap	14
51	Muffler, Tail pipe	15
55	Heater pipes	A 15
55	Warm air outlet	B 15
61	Eberspächer stationary heater up to Chassis No. 110 3100 000	16
61	Eberspächer stationary heater from Chassis No. 111 2000 000	A 16
98	Repair kits	—

FUEL TANK  
EXHAUST SYSTEM  
HEATING SYSTEM

Fuel tank

23







Key No.	Part No.	Description	Quantity	Type and model
<b>FUEL FILLER</b>				
-	141 201 125	Rubber flap - Filler neck ..... from Chassis No. 148 000 001 up to 148 895 514	1	141-144
-	141 201 127	Seal between filler neck and drip plate ..... from Chassis No. 148 000 001 up to 148 895 514	1	141-144
1	141 201 127 A	Seal with rubber flap between filler neck ..... and drip plate from Chassis No. 148 895 515	1	141-144
(2)	141 201 129	Fuel filler neck ..... from Chassis No. 148 000 001 up to 148 895 514	1	141-144
(2)	141 201 129 A	Fuel filler neck ..... from Chassis No. 148 895 515 up to Oct. 1971	1	141-144
2	141 201 129 B	Fuel filler neck ..... from Chassis No. November 1971	1	141-144
(3)	113 201 129 D	Fuel filler neck ..... from Chassis No. 111 2000 001 up to Dec. 1971	1	113, 114, 117, 118, 151, 152
3	113 201 129 F	Fuel filler neck ..... from Chassis No. January 1972	1	113, 114, 117, 118, 151, 152
(3)	113 201 129 G	Fuel filler neck ..... from Chassis No. January 1972	1	111, 112, 115, 116; M 1
-	113 201 137	Hose - Fuel filler neck ..... from Chassis No. 118 000 001 up to 118 895 514	1	111-118, 151, 152
-	141 201 137	Hose - Fuel filler neck ..... from Chassis No. 148 000 001 up to 148 895 514	1	141-144
(4)	141 201 139	Gasket - Fuel filler neck ..... from Chassis No. 148 000 001 up to 148 895 514	1	141-144
4	141 201 139 A	Gasket - Fuel filler neck ..... from Chassis No. 148 895 515	1	141-144
-	111 201 141	Ring, threaded - Fuel gauge 111 919 051 A/B ..... from Chassis No. 1 - 929 746 up to 1 600 439	1	
-	211 201 145	Ring, threaded - Fuel gauge 111 919 051 ..... up to Chassis No. 1 - 929 745	1	111-118, 151, 152
5	111 201 153	Breather pipe - Fuel tank ..... 111 201 055 C/D/E/113 201 075-B up to Chassis No. 117 999 000	1	



FUEL TANK,  
EXHAUST SYSTEM, HEATING SYSTEM

Key No.	Part No.	Description	Quantity	Type and model
6	113 201 157	T-piece - Breather pipe ..... from Chassis No. 118 000 001	2	111-118, 151, 152; M 1
7	113 201 167 A	Breather pipe ..... from Chassis No. 118 000 001 up to 118 431 163	1	111-118, 151, 152
8	113 201 169 B	Breather pipe ..... from Chassis No. 111 2000 001	1	
9	113 201 177	Connecting pipe - Breather pipe ..... from Chassis No. 111 2000 001 from Chassis No. January 1972	1 1	113, 114, 117, 118, 151, 152 111, 112, 115, 116; M 1
10	113 201 179 A	Hose between T-piece and fuel filler neck ..... from Chassis No. 118 000 001 up to 118 431 163 from Chassis No. 118 431 164 up to 110 3100 000 from Chassis No. 111 2000 001	1 1 1	Scandinavia 111, 112, 115, 116, 141-144; M 1
11	113 201 179 B	Hose between T-piece and fuel filler neck ..... from Chassis No. 111 2000 001	1	113, 114, 117, 118, 151, 152
12	113 201 179 C	Connection hose between fuel tank and T-piece ..... from Chassis No. 111 2000 001	1	113, 114, 117, 118, 151, 152
13	113 201 183	Bracket - Breather pipe ..... from Chassis No. 118 000 001 up to 118 431 163	1	111-118, 151, 152
14	311 101 463	Nut, hex. M 8 ..... from Chassis No. 118 000 001 up to 118 431 163	1	111-118, 151, 152
15	113 201 193	Clip 22 mm dia. - Breather pipe ..... from Chassis No. 118 000 001 up to 118 431 163 from Chassis No. 118 431 164	4 4	Scandinavia
16	113 255 737	Clip - Breather pipe ..... from Chassis No. 118 000 001 up to 118 431 163	1	
17	113 201 191 A	Sleeve - Breather pipe ..... from Chassis No. 118 000 001 up to 118 431 163	1	
18	111 201 195	Gasket - Plug ..... from Chassis No. 118 000 001 up to 118 431 163 from Chassis No. 110 2051 298 up to 110 2529 307	1 1	Scandinavia
19	111 201 197	Plug - Fuel tank ..... from Chassis No. 118 000 001 up to 118 431 163 from Chassis No. 110 2051 298 up to 110 2529 307	1 1	Scandinavia
20	111 201 197 A	* Union for fuel tank ..... from Chassis No. 110 2000 001 up to 110 2051 297	1	M 26

Key No.	Part No.	Description	Quantity	Type and model
-	111 201 201	Protection coil - Hose ..... from Chassis No. 118 000 001 up to 118 895 514	1	
21	113 201 209	Seal - Fuel filler neck ..... from Chassis No. 111 2000 001 from Chassis No. January 1972	1 1	113, 114, 117, 118, 151, 152 111, 112, 115, 116; M 1
22	113 201 215	Seal - Fuel filler hose ..... from Chassis No. 118 895 515 up to 110 3100 000 from Chassis No. 118 431 164 from Chassis No. 111 2000 001 from Chassis No. 111 2000 001	4 2 4 2	111-118, 151, 152 141-144 111, 112, 115, 116; M 1 113, 114, 117, 118, 151, 152
23	311 201 219 A	Hose - Fuel filler neck ..... from Chassis No. 118 895 515 up to 110 3100 000 from Chassis No. 118 895 515 from Chassis No. 111 2000 001 from Chassis No. 111 2000 001	2 1 2 1	111-118, 151, 152 141-144 111, 112, 115, 116; M 1 113, 114, 117, 118, 151, 152
-	113 201 221 A	Feed pipe ..... from Chassis No. 111 2000 001	1	M 1; 141-144
(24)	113 201 225	Filter - Fuel tank ..... from Chassis No. 111 2000 001 up to 111 3088 511	1	113, 114, 117, 118, 151, 152
24	113 201 225 B	Filter - Fuel tank ..... from Chassis No. 111 3088 512	1	113, 114, 117, 118, 151, 152
25	113 201 227	Fuel filler neck ..... from Chassis No. January 1972	1	111, 112, 115, 116; M 1
(25)	113 201 227 A	Fuel filler neck ..... from Chassis No. 118 895 515 up to 110 3100 000 from Chassis No. 111 2000 001 up to Dec. 1971	1 1	111-118, 151, 152 111, 112, 115, 116; M 1
-	141 201 239	Breather pipe ..... from Chassis No. 148 000 001 up to 148 431 163	1	141-144
26	111 201 261	Retaining clip - Breather pipe ..... up to Chassis No. 117 999 000	2	
-	113 201 275 B	Retaining clip - Rubber tubing - Fuel tank ..... from Chassis No. 118 000 001 up to 118 431 163 from Chassis No. 118 431 164 up to 118 895 514	1 1	141-144
-	113 201 275 C	Retaining clip - Hose - Fuel tank ..... from Chassis No. 118 000 001 up to 118 431 163 from Chassis No. 118 431 164 up to 118 895 514	1 1	Scand

MAIN GROUP



FUEL TANK,  
EXHAUST SYSTEM, HEATING SYSTEM

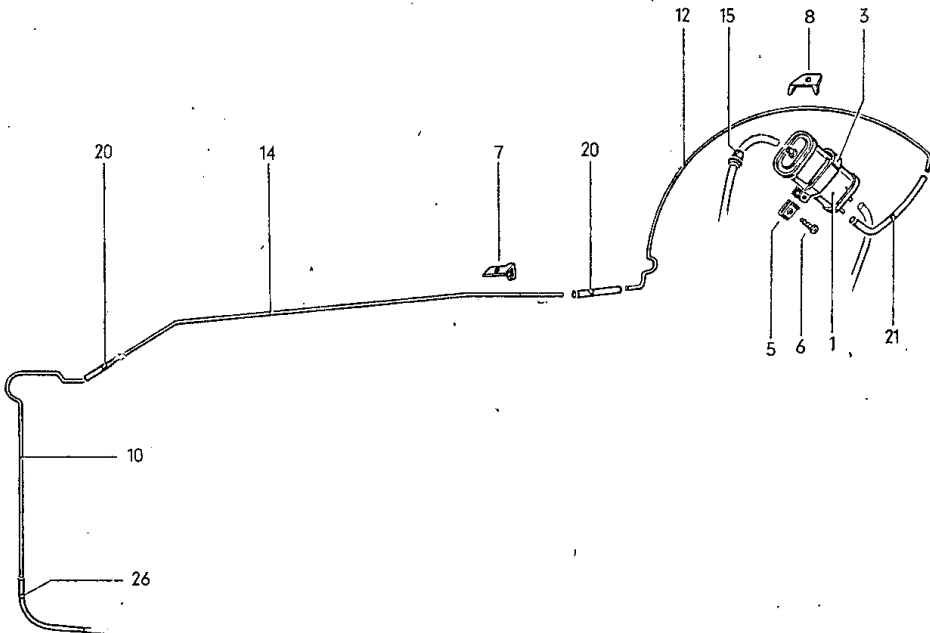
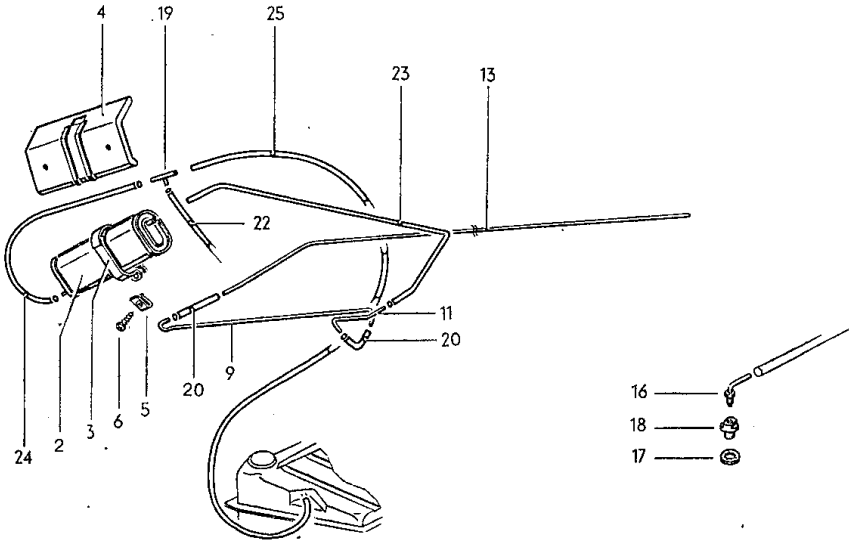
Key No.	Part No.	Description	Quantity	Type and model
27	113 201 293	Plug - Filter opening from Chassis No. 111 2000 001	1	113, 114, 117, 118, 151, 152
28	N 13 826 1	Gasket A 20×26 from Chassis No. 111 2000 001	1	113, 114, 117, 118, 151, 152
-	113 201 399	Grommet - Hose from Chassis No. 111 2000 001	1	113, 114, 117, 118, 151, 152
29	113 201 943 B	T-piece - Breather line from Chassis No. 110 2000 001 from Chassis No. 111 2000 001	1 1	141-144 113, 114, 117, 118, 151, 152
-	111 201 365	Pipe with union from Chassis No. 110 2000 001 up to 110 2051 297	1	M 26
30	111 501 159 B	Retaining clip - Fuel filler neck from Chassis No. 118 000 001 up to 118 895 514 from Chassis No. 118 895 515 up to 110 3100 000 from Chassis No. 148 895 515 from Chassis No. 111 2000 001 from Chassis No. 111 2000 001	1 4 2 4 2	111-118, 151, 152 141-144 111, 112, 115, 116; M 1 113, 114, 117, 118, 151, 152
31	111 201 551	Filler cap 100 mm dia. up to Chassis No. 1 - 929 745	1	111-118, 151, 152
32	111 201 551 A	Filler cap 80 mm dia. from Chassis No. 1 - 929 746 up to 3 192 506	1	
33	343 201 551	Filler cap 70 mm dia. from Chassis No. 3 192 507 up to 117 999 000	1	
34	113 201 551 A	Filler cap 65 mm dia. from Chassis No. 118 000 001 up to 110 3100 000 from Chassis No. 111 2000 001 up to Dec. 1971 from Chassis No. 111 2000 001	1 1 1	111, 112, 115, 116; M 1 141-144
35	113 201 551 F	Filler cap from Chassis No. 111 2000 001 from Chassis No. January 1972	1 1	113, 114, 117, 118, 151, 152 111, 112, 115, 116; M 1
36	111 201 557 C	Rubber seal 58.5×80 - Filler cap 111 201 551 A up to Chassis No. 3 192 506	1	
	101 557 B	Gasket (rubber) 78×105 - Filler cap 111 201 551 up to Chassis No. 1 - 929 745	1	111-118, 151, 152

Key No.	Part No.	Description	Quantity	Type and model
38	211 201 557 E	Asbestos gasket 45.5×68 – Filler cap 111 201 551 B from Chassis No. 3 192 507 up to 117 999 000	1	
39	113 201 557 C	Rubber seal 35×54 – Filler cap 113 201 551 A from Chassis No. 118 000 001 up to 110 3100 000 from Chassis No. 111 2000 001 up to Dec. 1971 from Chassis No. 111 2000 001	1 1 1	111, 112, 115, 116; M 1 141-144
40	113 201 557 E	Gasket – Filler cap 113 201 551 F from Chassis No. 111 3007 023 from Chassis No. January 1972	1 1	113, 114, 117, 118, 151, 152 111, 112, 115, 116; M 1
(38)	343 201 557	Seal 58×69.5 – Filler cap 343 201 551 from Chassis No. 3 192 507 up to 117 999 000	1	
41	111 201 571	Cover plate – Tank unit opening Fuel tank	1	111, 112, 115, 116
42	113 919 133	Gasket – Cover plate 111 201 571	1	111, 112, 115, 116
43	N 14 130 1	Screw, fillister hd. AM 5×11	5	111, 112, 115, 116
44	N 13 802 1	Gasket A 5×9 from Chassis No. 111 2000 001	5	111, 112, 115, 116
45	111 201 621 B	Anti squeak – Fuel tank up to Chassis No. 3 192 506	1	
46	111 201 621 C	Anti squeak – Fuel tank from Chassis No. 3 192 507 up to 110 3100 000 from Chassis No. 111 2000 001	1 1	111, 112, 115, 116, 141-144; M 1
47	113 201 621	Anti-squeak – Fuel tank from Chassis No. 111 2000 001	1	113, 114, 117, 118, 151, 152
48	113 201 635	Spacer – Fuel tank	4	
49	N 10 240 4	Bolt, hex. hd. M 8×20	4	
50	N 12 241 2	Spring washer B 8×15	4	
51	113 201 701	Fuel trap from Chassis No. 111 2000 001	1	113, 114, 117, 118, 151, 152



Key No.	Part No.	Description	Quantity	Type and model
52	113 201 709	Clamping spring – Fuel trap ..... from Chassis No. 111 2000 001	1	113, 114, 117, 118, 151, 152
53	311 133 343 A	Clip 9 mm dia. .... from Chassis No. 111 2000 001	3	113, 114, 117, 118, 151, 152
54	111 127 537 A	Clip – Fuel line ..... from Chassis No. 111 2000 001	4	
–	N 20 355 1	Hose 5×2.5 .....	*	
55		780 mm – 30 <sup>23</sup> / <sub>32</sub> in. from Chassis No. 111 2000 001	1	113, 114, 117, 118, 151, 152
56		345 mm – 13 <sup>19</sup> / <sub>32</sub> in.	1	
(55)		250 mm – 9 <sup>27</sup> / <sub>32</sub> in. up to Chassis No. 110 3100 000	1	
(55)		345 mm – 13 <sup>19</sup> / <sub>32</sub> in. from Chassis No. 111 2000 001 up to 111 3200 000	1	111, 112, 115, 116; M 1
		345 mm – 13 <sup>19</sup> / <sub>32</sub> in. from Chassis No. 112 2000 001	1	111, 112, 115, 116; M 1
–	N 20 361 2	Hose 4×2.5 .....	*	
57		630 mm – 24 <sup>13</sup> / <sub>16</sub> in.	1	
58		950 mm – 37 <sup>13</sup> / <sub>32</sub> in.	1	
59		500 mm – 19 <sup>11</sup> / <sub>16</sub> in.	2	
60		300 mm – 11 <sup>13</sup> / <sub>16</sub> in.	1	
61		600 mm – 23 <sup>5</sup> / <sub>8</sub> in.	1	
62		75 mm – 2 <sup>15</sup> / <sub>16</sub> in.	1	
63		2200 mm – 86 <sup>5</sup> / <sub>8</sub> in.	1	
64		2100 mm – 82 <sup>11</sup> / <sub>16</sub> in.	1	
65		1630 mm – 64 <sup>3</sup> / <sub>16</sub> in.	1	
66		112 mm – 4 <sup>13</sup> / <sub>32</sub> in.	2	
–	N 20 363 1	Hose 15×2.5 .....	*	
67		130 mm – 5 <sup>1</sup> / <sub>8</sub> in.	2	
68		220 mm – 8 <sup>21</sup> / <sub>32</sub> in.	1	



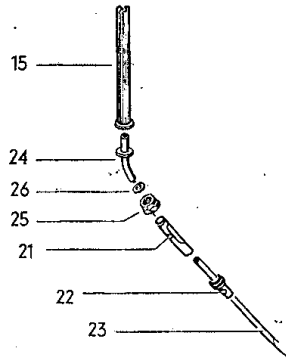
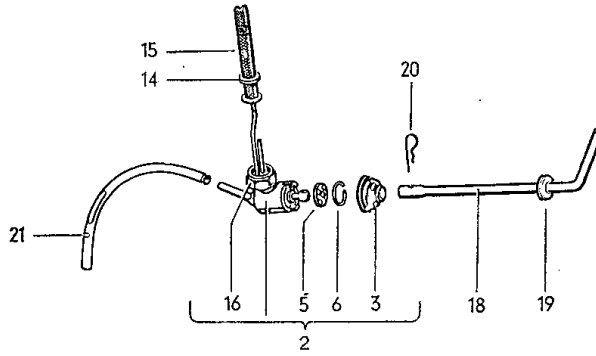
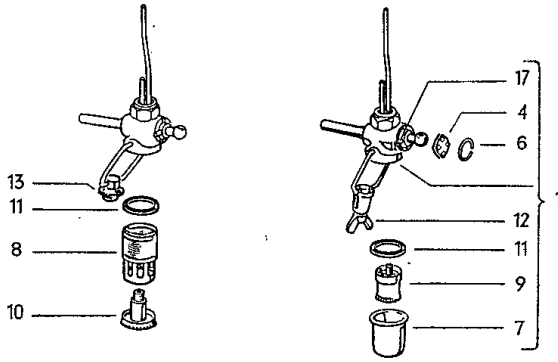


Key No.	Part No.	Description	Quantity	Type and model
<b>ACTIVATED CARBON CONTAINER</b>				
1	113 201 801 A	* Activated carbon container ..... from Chassis No. 110 2000 001	1	M 26
2	113 201 891	* Expansion chamber ..... from Chassis No. 110 2000 001 up to 110 3100 000 from Chassis No. 111 2000 001	1 1	M 26 M 1/M 26
3	113 809 169	* Strap - Activated carbon container and expansion chamber from Chassis No. 110 2000 001	2	M 26
4	113 809 187	* Cover plate - Expansion chamber ..... from Chassis No. 110 2000 001 up to 110 3100 000 from Chassis No. 111 2000 001	1 1	M 26 M 1/M 26
5	N 15 440 1	* Speed nut B 5.5×21.1 ..... from Chassis No. 110 2000 001 up to 110 3100 000 from Chassis No. 111 2000 001 from Chassis No. 111 2000 001	2 2 1	M 26 M 1/M 26 M 26
6	N 13 948 1	* Tapping screw, fillister hd. B 5.5×25 ..... from Chassis No. 110 2000 001 up to 110 3100 000 from Chassis No. 111 2000 001 from Chassis No. 111 2000 001	2 2 1	M 26 M 1/M 26 M 26
7	113 201 975	* Retainer for line on floor plate ..... from Chassis No. 110 2000 001	6 4	M 26: 113, 114, 117, 118, 151, 152 M 26: 141-144
8	113 201 977	* Retainer - Line at fender ..... from Chassis No. 110 2000 001	6	M 26: 113, 114, 117, 118, 151, 152
9	113 201 993	* Line, front between expansion chamber and ..... activated carbon container from Chassis No. 110 2000 001 up to 110 3100 000 from Chassis No. 111 2000 001	1 1	M 26: 113, 114, 117, 118, 151, 152 M 1/M 26
10	113 201 993 A	* Line, front between fuel tank and activated ..... carbon container from Chassis No. 111 2000 001	1	M 26: 113, 114, 117, 118, 151, 152
-	141 201 993	* Line, front between expansion chamber and ..... activated carbon container from Chassis No. 110 2000 001	1	M 26: 141-144



Key No.	Part No.	Description	Quantity	Type and model
11	113 201 995	* Line, left between expansion chamber and ..... activated carbon container from Chassis No. 110 2000 001 up to 110 3100 000  from Chassis No. 111 2000 001	1  1	M 26: 113, 114, 117, 118, 151, 152  M 1/M 26
12	113 201 997	* Line, rear between expansion chamber and ..... activated carbon container from Chassis No. 110 2000 001	1	M 26: 113, 114, 117, 118, 151, 152
-	141 201 997	* Line, rear between expansion chamber and ..... activated carbon container from Chassis No. 110 2000 001	1	M 26: 141-144
13	113 201 999	* Line, center between expansion chamber and .... activated carbon container from Chassis No. 110 2000 001 up to 110 3100 000  from Chassis No. 111 2000 001	1  1	M 26: 113, 114, 117, 118, 151, 152  M 1/M 26
14	113 201 999 A	* Line, center between fuel tank and activated .... carbon container from Chassis No. 111 2000 001	1	M 26: 113, 114, 117, 118, 151, 152
-	141 201 999	* Line, center between expansion chamber and .... activated carbon container from Chassis No. 110 2000 001	1	M 26: 141-144
15	113 142 357	* Grommet ..... from Chassis No. 110 2000 001	2	M 26: 113, 114, 117, 118, 151, 152
-	111 971 911	* Grommet ..... from Chassis No. 110 2000 001	2	M 26: 141-144
16	111 201 365	* Pipe with union ..... from Chassis No. 110 2000 001 up to 110 2051 247	1	M 26
17	111 201 195	* Gasket - Plug ..... from Chassis No. 118 431 164 up to 110 2051 297	1	M 26
-	111 201 197	* Plug - Fuel tank ..... from Chassis No. 118 431 164 up to 110 2051 297	1	M 26
18	111 201 197 A	* Union for fuel tank ..... from Chassis No. 110 2000 001 up to 110 2051 297	1	M 26
19	113 201 943 B	* T-piece - Breather line ..... from Chassis No. 111 2000 001	1	M 26: 113, 114, 117, 118, 151, 152

Key No.	Part No.	Description	Quantity	Type and model
-	N 20 358 1	Hose 4×1.5 .....	*	
20		75 mm long	3	
21		300 mm long	1	
22		130 mm long	1	
23		1630 mm long	1	
24		440 mm long	1	
25		1760 mm long	1	
26		710 mm long	1	



Key No.	Part No.	Description	Quantity	Type and model
		<b>FUEL TAP</b>		111-118, 141-144, 151, 152
1	211 209 021 A	Fuel tap (pipe connection 6 mm) ..... (use 122 127 593 as well from Chassis No. 1-929 746) up to Chassis No. 4 010 994	1	111-118, 151, 152
2	111 209 021 E	Fuel tap ..... from Chassis No. 1-929 746 up to 4 010 994 from Chassis No. 4 010 995	1 1	111, 112, 115, 116
3	111 209 095	Rubber cap - Fuel tap 111 209 021 D/E ..... from Chassis No. 2 890 070 up to 4 010 994 from Chassis No. 4 010 995	1 1	111, 112, 115, 116
4	111 209 113	Seal - Fuel tap cone (fuel taps 211 209 021/A) ... up to Chassis No. 4 010 994	1	111-118, 151, 152
5	111 209 113 A	Seal - Fuel tap cone (fuel tap 111 209 021 D/E) ... from Chassis No. 1-929 746 up to 4 010 994 from Chassis No. 4 010 995	1 1	111, 112, 115, 116
6	211 209 115	Circlip - Fuel tap 111 209 021 D/E ..... from Chassis No. 1-929 746 up to 4 010 994 from Chassis No. 4 010 995	1 1	111, 112, 115, 116
7	111 209 117 A	Filter bowl - Fuel tap with wing nut ..... up to Chassis No. 1-929 745	1	111-118, 151, 152
8	111 209 119	Filter - Fuel tap ..... up to Chassis No. 4 010 994	1	111-118, 151, 152
9	111 209 119 A	Filter - Fuel tap with wing nut ..... up to Chassis No. 1-929 745	1	111-118, 151, 152
10	111 209 125	Screw - Fuel tap filter ..... up to Chassis No. 4 010 994	1	111-118, 151, 152
11	111 209 129	Sealing washer - Fuel tap filter bowl ..... up to Chassis No. 4 010 994	1	111-118, 151, 152
12	111 209 131	Wing nut - Fuel tap ..... up to Chassis No. 1-929 745	1	111-118, 151, 152



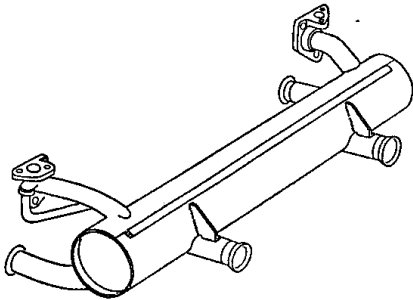
Key No.	Part No.	Description	Quantity	Type and model
13	111 209 133	Knurled nut – Fuel tap ..... up to Chassis No. 4 010 994	1	111-118, 151, 152
14	111 209 139	Sealing ring – Fuel filter in tank ..... up to Chassis No. 4 010 994 from Chassis No. 4 010 995	1 1	111,112, 115, 116
-	211 209 147	Fuel filter (in tank) ..... up to Chassis No. 1 – 929 745	1	111-118, 151, 152
15	111 209 147 A	Fuel filter (in tank) ..... from Chassis No. 1 – 929 746 up to 110 21200 000 from Chassis No. 111 2000 001	1 1	111, 112, 115, 116, 141-144; M 1
16	111 209 159	Nut, hex. – Fuel tap ..... up to Chassis No. 4 010 994 from Chassis No. 4 010 995	1 1	111, 112, 115, 116
17	N 13 030 1	Shank screw M 3.5×18 – Fuel tap ..... up to Chassis No. 1 – 929 745	1	111-118, 151, 152
18	111 209 167 B	Operating lever – Fuel tap ..... (for tank 111 201 055 B/C/D) up to Chassis No. 4 010 994 from Chassis No. 4 010 995	1 1	111, 112, 115, 116
-	111 911 911	Grommet – Operating lever 111 209 167 ..... up to Chassis No. 1 – 929 745	1	111-118, 151, 152
19	111 209 175 A	Grommet – Operating lever 111 209 167 A/B ..... up to Chassis No. 4 010 994 from Chassis No. 4 010 995	1 1	111, 112, 115, 116
20	111 209 181	Retaining spring – Operating lever ..... up to Chassis No. 4 010 994 from Chassis No. 4 010 995	1 1	111, 112, 115, 116
-	N 20 357 1	Hose 7×2.5 length 325 mm ..... up to Chassis No. 1 – 929 745	*	111-118, 151, 152
21	N 20 355 1	Fuel hose 5×2.5, length 325 mm ..... up to Chassis No. 1 – 929 745	*	111-118, 151, 152
-	111 209 189	Grommet – Fuel pipe 8 mm dia. .... up to Chassis No. 1 – 929 745	2	111-118, 151, 152
22	111 209 189 A	Grommet – Fuel pipe 6 mm dia. .... up to Chassis No. 1 – 929 745	2	111-118, 151, 152

Key No.	Part No.	Description	Quantity	Type and model
-	113 209 205	Plug - Hose .....	x	
23	111 209 211 B	Fuel line 6 mm dia. - Frame tunnel .....	1	
-	311 201 221	Feed pipe .....	1	113, 114, 117, 118, 141-144, 151, 152
		from Chassis No. 4 010 995 up to 117 999 000		
24	113 201 221 A	Feed pipe .....	1	113, 114, 117, 118, 141-144, 151, 152
		from Chassis No. 118 000 001 up to 110 3100 000	1	
		from Chassis No. 111 2000 001	1	141-144; M 1
25	311 201 231 A	Nut - Feed pipe .....	1	113, 114, 117, 118, 141-144, 151, 152
		from Chassis No. 4 010 995 up to 110 3100 000	1	
		from Chassis No. 111 2000 001	1	141-144; M 1
26	311 201 235	Gasket - Feed pipe .....	1	113, 114, 117, 118, 141-144, 151, 152
		from Chassis No. 4 010 995 up to 110 3100 000	1	
		from Chassis No. 111 2000 001	1	141-144; M 1

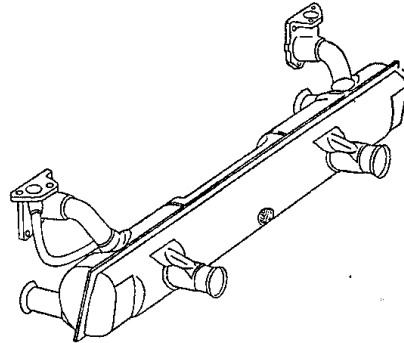


# Exhaust Mufflers

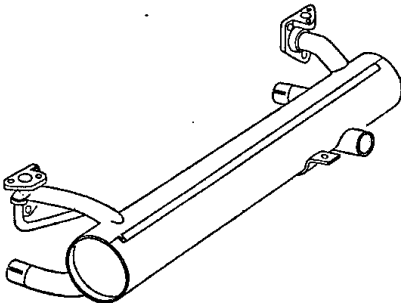
## Volkswagen 1200/1300/1500/1600



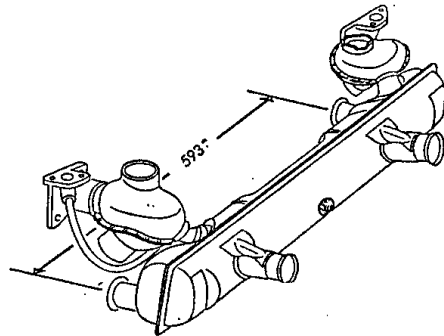
**111 251 051 G**  
without heat exchangers  
2 tail pipe connections



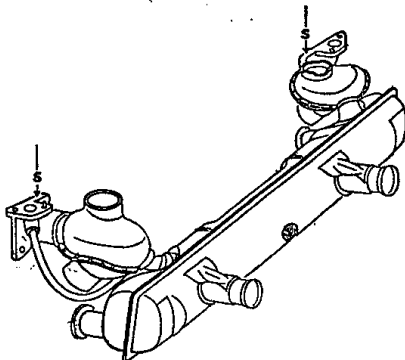
**113 251 053**  
without heat exchangers  
2 tail pipe connections



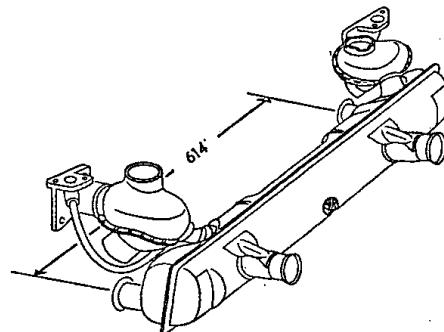
**211 251 051 B**  
without heat exchangers  
1 tail pipe connection



**113 251 053 L**  
with heat exchangers  
2 tail pipe connections

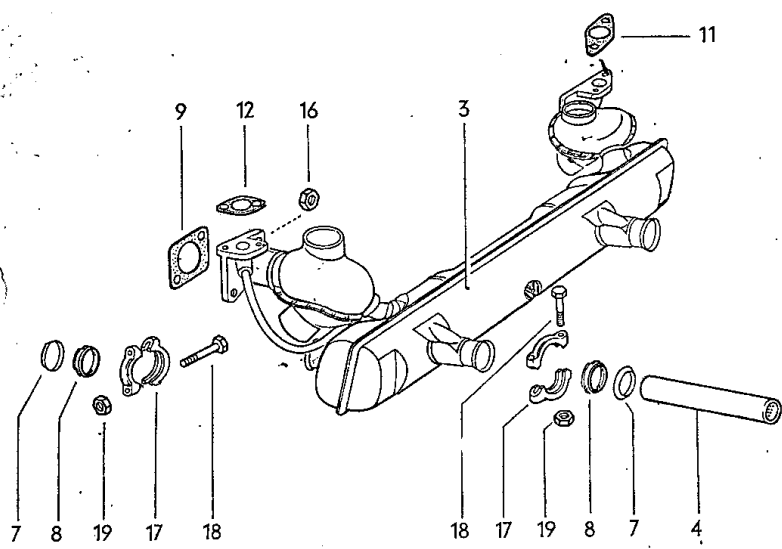
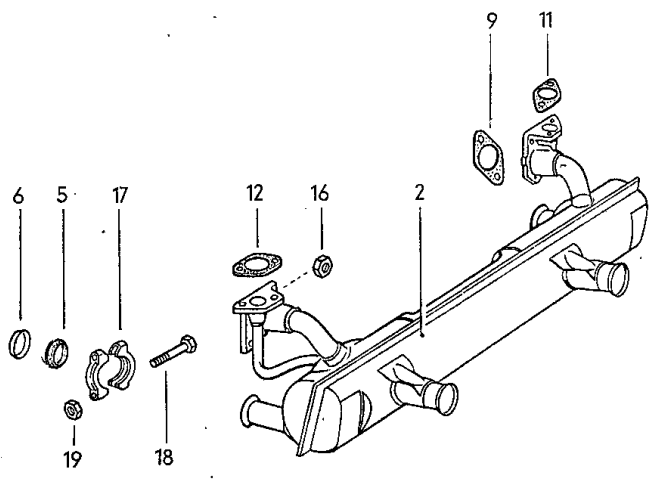
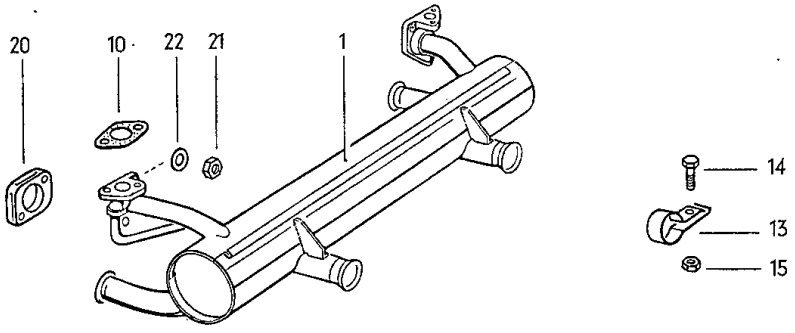


**111 251 053**  
with heat exchangers, 2 tail pipe connections  
flanges marked "S"



**113 251 053 AJ**  
with heat exchangers  
2 tail pipe connections





Key No.	Part No.	Description	Quantity	Type and model
25 DIN b.h.p.=30 SAE , 30=36 , 34=41.5 , 37=47 , 40=49/50 , 44=52/53 , 46=55 , 47=57 , 48=58 , 50=60				

MUFFLER, TAIL PIPE

(1)	211 251 051 B	Muffler – Exhaust ..... (211 298 001 is to be used) up to Engine No. 1 – 1 120 614	1	25-, 30 b.h.p.
1	111 251 051 G	Muffler – Exhaust ..... (111 298 003 and 2× 111 298 051 are to be used) from Engine No. 1 – 1 120 615 up to 3 949 222	1	30 b.h.p.
(3)	111 251 053	Muffler – Exhaust ..... (marked with "S" on pre-heating pipe connection flange) (111 298 005 and 2× 111 298 051 are to be used) from Engine No. 3 949 223	1	30 b.h.p.
2	113 251 053	Muffler – Exhaust ..... (111 298 007 and 2× 111 298 051 are to be used) up to Engine No. 7 336 419	1	34 b.h.p.
(3)	113 251 053 L	Muffler – Exhaust ..... from Engine No. 7 336 420 (111 298 009 and 2 x 111 298 051 are to be used as well)	1	34 b.h.p.
3	113 251 053 AJ	Muffler – Exhaust ..... from Engine No. AB 0 350 001 from Engine No. AC 0 003 240 from Engine No. AD 0 360 023 from Engine No. AE 0 558 001 from Engine No. AF 0 000 445 (111 298 009 and 2 x 111 298 051 are to be used as well)	1 1 1 1 1	44 b.h.p. 40 b.h.p.: M 240 50 b.h.p. 48 b.h.p.: M 157 46 b.h.p.: M 240
(3)	113 251 053 AK *	Muffler – Exhaust ..... up to Engine No. B 6 600 000 up to Engine No. E 0 022 000 up to Engine No. F 2 200 000 up to Engine No. H 1 350 000 up to Engine No. L 0 026 500 up to Engine No. AB 0 350 000 up to Engine No. AC 0 003 239 up to Engine No. AD 0 360 022 up to Engine No. AE 0 558 000 up to Engine No. AF 0 000 444 (111 298 009 and 2×111 298 051 are to be used as well)	1 1 1 1 1 1 1 1 1 1	47 b.h.p. 37 b.h.p.: M 240 40 b.h.p. 44 b.h.p. 40 b.h.p.: M 240 44 b.h.p. 40 b.h.p.: M 240 44 b.h.p. 40 b.h.p.: M 240 50 b.h.p. 48 b.h.p.: M 157 46 b.h.p.: M 240
(3)	113-251 053 AQ	Muffler – Exhaust ..... from Engine No. AH 0 000 001 (111 298 009 and 2 x 111 298 051 are to be used as well)	1	48 b.h.p.: M 9/M 26/ M 27/M 157

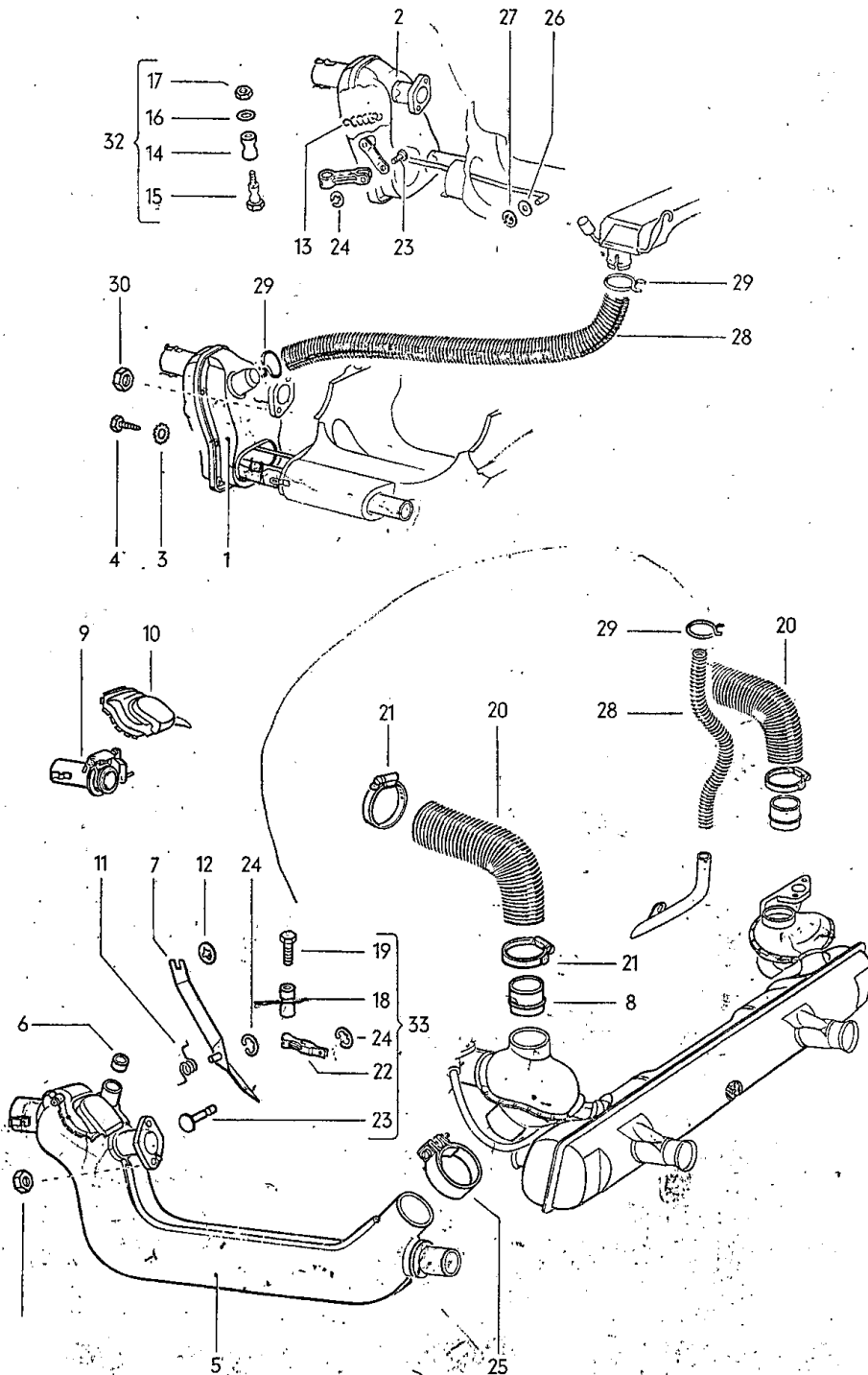
MAIN GROUP



FUEL TANK,  
EXHAUST SYSTEM, HEATING SYSTEM

Key No.	Part No.	Description	Quantity	Type and model
25 DIN b.h.p.=30 SAE , 30=36 , 34=41.5 , 37=47 , 40=49/50 , 44=52/53 , 46=55 , 47=57 , 48=58 , 50=60				
(4)	111 251 163 E	Tail pipe – Muffler (painted) ..... from Chassis No. 1 – 929 746	2	111, 112, 115, 116
(4)	113 251 163 D	Tail pipe – Muffler (chromium plated) ..... from Chassis No. 1 – 929 746 up to 117 999 000 from Chassis No. 1 – 929 746	2 2	113, 114, 117, 118, 151, 152 141-144
4	113 251 163 C	Tail pipe – Muffler (chromium plated) ..... from Chassis No. 118 000 001	2	113, 114, 117, 118, 151, 152
(4)	111 251 165 B	Tail pipe – Muffler ..... up to Engine No. 1 – 1 120 614	1	25-, 30 b.h.p.
5	*111 251 221	Seal, 32 mm dia. – Exhaust pipe ..... up to Engine No. 3 949 222 up to Engine No. 7 336 419	2 2	30 b.h.p. 34 b.h.p.
6	*111 251 223	Retaining ring, 32 mm dia. – Exhaust pipe ..... up to Engine No. 3 949 222 up to Engine No. 7 336 419	2 2	30 b.h.p. 34 b.h.p.
7	111 251 233 B	Retaining ring, 35 mm dia. – ..... Exhaust pipe and tail pipe up to Engine No. 3 949 222 up to Engine No. 7 336 419 from Engine No. 3 949 223 from Engine No. 7 336 420	2 2 4 4	25-, 30 b.h.p. 34 b.h.p. 30 b.h.p. 34-, 37-, 40-, 44-, 46-, 47-, 48-, 50 b.h.p.
8	*111 251 241	Seal 35 mm dia. between heat exchanger and ..... muffler (marked white) from Engine No. 3 949 222 from Engine No. 7 336 420	2 2	30 b.h.p. 34-, 37-, 40-, 44-, 46-, 47-, 48-, 50 b.h.p.
9	*111 251 261 B	Gasket – Exhaust pipe flange ..... up to Engine No. 3 949 222 from Engine No. 3 949 223	4 4 6	34-, 37-, 40-, 44-, 46-, 47-, 48-, 50 b.h.p. 25-, 30 b.h.p. 30 b.h.p.
10	*111 251 263 A	Gasket – Pre-heating pipe ..... up to Engine No. 3 972 440	2	25-, 30 b.h.p.
11	*113 251 263	Gasket, right – Pre-heating pipe ..... from Engine No. 3 972 441 up to D 0 674 999 up to Engine No. H 1 350 000 up to Engine No. L 0 026 500	1 1 1 1	37-, 40 b.h.p. 34 b.h.p. 44 b.h.p. 40 b.h.p.: M 240
		Gasket, left and right – Pre-heating pipe ..... from Engine No. H 5 000 001 up to H 5 900 000 from Engine No. B 6 000 001 up to B 6 600 000 from Engine No. D 0 675 000 from Engine No. AB, AC, AD, AE, AF, AH 0 000 001	2 2 2 2	44 b.h.p.: M 157 47 b.h.p.: M 157 34 b.h.p. 40-, 44-, 46-, 48-, 50 b.h.p.

Key No.	Part No.	Description	Quantity	Type and model
25 DIN b.h.p.=30 SAE , 30=36 , 34=41.5 , 37=47 , 40=49/50 , 44=52/53 , 46=55 , 47=57 , 48=58 , 50=60				
12	*113 251 265	Gasket, left - Pre-heating pipe ..... (not for M 157) up to Engine No. D 0 674 999 up to Engine No. H 1 350 000 up to Engine No. L 0 026 500	1 1 1 1	37-, 40 b.h.p. 34 b.h.p. 44 b.h.p. 40 b.h.p.: M 240
13	*111 251 267 A	Clip - Exhaust pipe ..... up to Engine No. 2 720 711	2	25-, 30 b.h.p.
14	N 10 239 0	Bolt, hex. head M 8×18 ..... up to Engine No. 2 720 711	2	25-, 30 b.h.p.
15	N 11 008 8	Nut, hex. M 8 ..... up to Engine No. 2 720 711	2	25-, 30 b.h.p.
16	311 101 463	Nut, hex. M 8 self locking ..... from Engine No. 3 949 223	8	34-, 37-, 40-, 44-, 46-, 47-, 48-, 50 b.h.p.
17	*111 251 269 A	Clip .....	8	
18	N 10 348 3	Bolt, hex. head BM 6×43 .....	8	
19	*113 251 273	Nut, hex. M 6 self locking .....	8	
20	111 251 291	Intermediate flange left between ..... cylinder head and muffler from Engine No. 3 949 223	1	30 b.h.p.
(20)	111 251 292	Intermediate flange right between ..... cylinder head and muffler from Engine No. 3 949 223	1	30 b.h.p.
21	N 11 008 8	Nut, hex. M 8 ..... up to Engine No. 3 949 222	8	
22	N 11 558 1	Washer 8.4 ..... from Engine No. 3 949 223	8	



Key No.	Part No.	Description	Quantity	Type and model
25 DIN b.h.p.=30 SAE, 30=36, 34=41.5, 37=47, 40=49/50, 44=52/53, 46=55, 47=57, 48=58, 50=60				

HEATING SYSTEM

111-118, 151, 152

(1)	111 255 101 C	Junction box, left up to Engine No. 3 949 222	1	25- 30 b.h.p.
1	113 255 101 A	Junction box, left up to Engine No. 7 336 419	1	34 b.h.p.
(2)	111 255 102 C	Junction box, right up to Engine No. 3 949 222	1	25- 30 b.h.p.
2	113 255 102	Junction box, right up to Engine No. 7 336 419	1	34 b.h.p.
-	N 10 211 1	Bolt, hex. head M 6×12 SZ	10	
3	N 12 105 1	Spring washer A 6.4	12	
4	N 13 889 1	Tapping screw, hex. head BZ 6.3×11	12	
(5)	111 255 105 C	Heat exchanger, left (with marking "EA 70") from Engine No. 3 949 223	1	30 b.h.p.
(5)	111 255 106 C	Heat exchanger, right (with marking "EA 70") from Engine No. 3 949 223	1	30 b.h.p.
5	113 255 107	Heat exchanger, left, without heater flap lever ... from Engine No. 7 336 420 (use 113 255 117 up to Engine No. F 0 767 045 for Types 113, 114, 117, 118, 141-144, 151, 152 and from Engine No. F 0 767 046 for Types 141-144)	1	34-, 37-, 40-, 44-, 46-, 47-, 48-, 50 b.h.p.
(5)	113 255 108	Heat exchanger, right, without heater flap lever... from Engine No. 7 336 420 (use 113 255 117 up to Engine No. F 0 767 045 for Types 113, 114, 117, 118, 141-144, 151, 152 and from Engine No. F 0 767 046 for Types 111-118, 151, 152)	1	34-, 37-, 40-, 44-, 46-, 47-, 48-, 50 b.h.p.
6	113 255 117	Plug - Carburetor pre-heating pipe hole	1	

*Handwritten notes:*  
 USE 043-255-147A N 10 211  
 211-255-271 UP TO CHASSIS # 113287815  
 USE 043-255-148A  
 UP TO CHASSIS # 113-287-815

MAIN GROUP



FUEL TANK,  
EXHAUST SYSTEM, HEATING SYSTEM

Key No.	Part No.	Description	Quantity	Type and model
25 DIN b.h.p.=30 SAE , 30=36 , 34=41.5 , 37=47 , 40=49/50 , 44=52/53 , 46=55 , 47=57 , 48=58 , 50=60				
(7)	113 255 147 A	Heater flap lever – Heat exchanger, left ..... with 50 mm dia. connection from Engine No. 3 949 223 up to 3 972 440 from Engine No. 7 336 420 up to 8 796 622	1 1	30 b.h.p. 34 b.h.p.
(7)	113 255 147 B	Heater flap lever – Heat exchanger, left ..... with 60 mm dia. connection from Engine No. 3 949 223 up to 3 972 440 from Engine No. 7 336 420	1 1	30 b.h.p. 34 b.h.p.
7	113 255 147 C OS b4 093255147A	Heater flap lever – Heat exchanger, left ..... with 50 mm dia. connection from Engine No. 3 949 223 up to 3 972 440 from Engine No. 7 336 420 up to 8 796 622	1 1	37-, 40-, 44-, 46-, 47-, 48-, 50 b.h.p.
(7)	113 255 148 A	Heater flap lever – Heat exchanger, right ..... with 50 mm dia. connection from Engine No. 3 949 223 up to 3 972 440 from Engine No. 7 336 420 up to 8 796 622	1 1	30 b.h.p. 34 b.h.p.
(7)	113 255 148 B	Heater flap lever – Heat exchanger, right ..... with 60 mm dia. connection from Engine No. 3 949 223 up to 3 972 440 from Engine No. 7 336 420	1 1	30 b.h.p. 34 b.h.p.
(7)	113 255 148 C	Heater flap lever – Heat exchanger, right ..... with 50 mm dia. connection from Engine No. 3 949 223 up to 3 972 440 from Engine No. 7 336 420 up to 8 796 622	1 1	37-, 40-, 44-, 46-, 47-, 48-, 50 b.h.p.
8	113 255 165	Connection pipe – Heater pipe ..... from Engine No. 3 949 223 from Engine No. 7 336 420	2 2	30 b.h.p. 34-, 37-, 40-, 44-, 46-, 47-, 48-, 50 b.h.p.
9	113 255 181	Outlet pipe 60 mm dia. with flaps – ..... Heat exchanger, left from Engine No. 3 949 223 from Engine No. 7 336 420	1 1	30 b.h.p. 34-, 37-, 40-, 44-, 46-, 47-, 48-, 50 b.h.p.
(9)	113 255 182	Outlet pipe 60 mm dia. with flaps – ..... Heat exchanger, right from Engine No. 3 949 223 from Engine No. 7 336 420	1 1	30 b.h.p. 34-, 37-, 40-, 44-, 46-, 47-, 48-, 50 b.h.p.
10	113 255 203 E	Cover – Warm air opening on heat exchanger left from Engine No. 3 949 223 from Engine No. 7 336 420 up to Engine No. E 0 022 000 up to Engine No. F 2 200 000 from Engine No. H 0 204 001 up to H 1 350 000 up to Engine No. L 0 026 500 from Engine No. B 6 000 001 up to B 6 600 000 from Engine No. AB, AC, AD, AE, AF AH 0 000 001 (If carburetor pre-heating opening is not required, seal with 113 255 117)	1 1 1 1 1 1 1 1	30 b.h.p. 34 b.h.p. 37 b.h.p.: M 240 40 b.h.p. 44 b.h.p. 40 b.h.p.: M 240 47 b.h.p.: M 157 40-, 44-, 46-, 48-, 50 b.h.p.

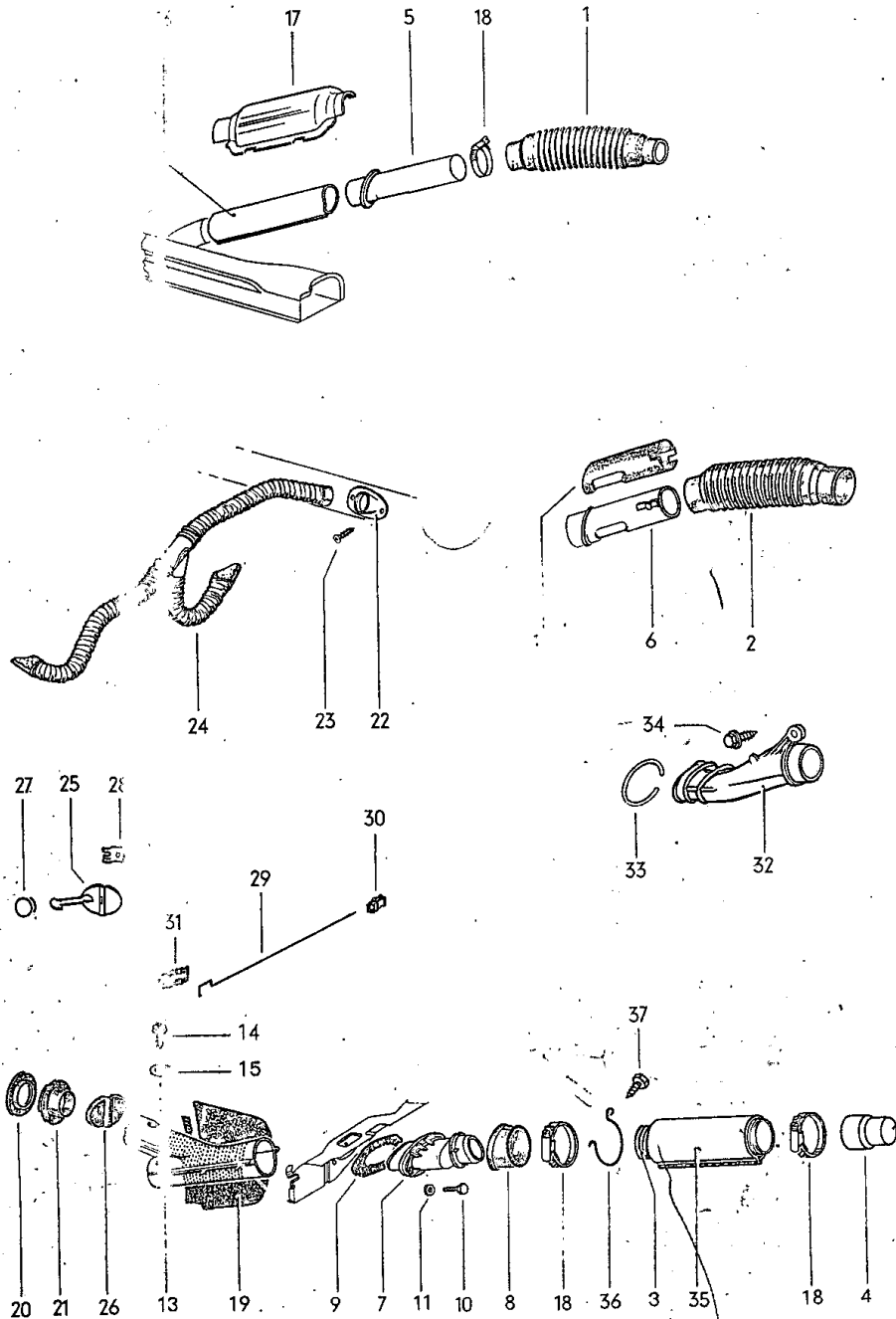
Key No.	Part No.	Description	Quantity	Type and model
25 DIN b.h.p.=30 SAE , 30=36 , 34=41.5 , 37=47 , 40=49/50 , 44=52/53 , 46=55 , 47=57 , 48=58 , 50=60				
(10)	113 255 204 E	Cover – Warm air opening on heat exchanger right from Engine No. 3 949 223 from Engine No. 7 336 420 up to Engine No. E 0 022 000 up to Engine No. F 2 200 000 up to Engine No. H 1 350 000 up to Engine No. L 0 026 500 from Engine No. B 6 000 001 up to B 6 600 000 from Engine No. AB, AC, AD, AE, AF, AH 0 000 001	1 1 1 1 1 1 1 1	30 b.h.p. 34 b.h.p. 37 b.h.p.: M 240 40 b.h.p. 44 b.h.p. 40 b.h.p.: M 240 47 b.h.p. 40-, 44-, 46-, 48-, 50 b.h.p.
11	113 255 249	Return spring – Heater flap lever, left from Engine No. 3 949 223 from Engine No. 7 336 420	1 1	30 b.h.p. 34-, 37-, 40-, 44-, 46-, 47-, 48-, 50 b.h.p.
(11)	113 255 250	Return spring – Heater flap lever, right from Engine No. 3 949 223 from Engine No. 7 336 420	1 1	30 b.h.p. 34-, 37-, 40-, 44-, 46-, 47-, 48-, 50 b.h.p.
12	N 12 055 1 <i>SS by</i> <i>N120572</i>	Clamping plate 5 from Engine No. 3 949 223 from Engine No. 7 336 420	2 2	30 b.h.p. 34-, 37-, 40-, 44-, 46-, 47-, 48-, 50 b.h.p.
(13)	111 255 271 A	Return spring – Heating flap in lower heater channel (dual control only) up to Engine No. 3 949 222 up to Engine No. 7 336 419	2 2	25-, 30 b.h.p. 34 b.h.p.
(13)	111 255 271 B	Return spring – Heater flap in junction box up to Engine No. 2 939 200	2	25-, 30 b.h.p.
13	113 255 271	Return spring – Heater flap in junction box from Engine No. 2 939 201 up to 3 949 222 from Engine No. 5 000 001 up to 7 336 419	2 2	30 b.h.p. 34 b.h.p.
14	*111 255 281	Clamping bush – Heating control cable up to Chassis No. 116 314 086	2	
15	*111 255 285	Screw – Clamping bush up to Chassis No. 116 314 086	2	
16	N 12 226 2	Spring washer B 6 up to Chassis No. 116 314 086	2	
17	N 11 106 1	Nuf, hex. AM 6 up to Chassis No. 116 314 086	2	
18	311 129 777	Bolt – Link from Chassis No. 116 314 087	2	



FUEL TANK,  
EXHAUST SYSTEM, HEATING SYSTEM

Key No.	Part No.	Description	Quantity	Type and model
25 DIN b.h.p.=30 S. , 30=36 , 34=41.5 , 37=47 , 40=49/50 , 44=52/53 , 46=55 , 47=57 , 48=58 , 50=60				
19	N 10 205 2	Bolt, hex. head M 5×10 ..... from Chassis No. 116 314 087	2	
20	113 255 1 E	Pre-heating connecting hose 520 mm – 20 <sup>15</sup> / <sub>32</sub> in. from Engine No. 3 949 223	1	30-,34-, 37-, 40-, 44-, 46-, 47-, 48-, 50 b.h.p.
		shorten to 200 mm – 7 <sup>7</sup> / <sub>8</sub> in. – Hose, left	1	30-,34-, 37-, 40-, 44-, 46-, 47-, 48-, 50 b.h.p.
		shorten to 220 mm – 8 <sup>21</sup> / <sub>32</sub> in. – Hose, right	1	34-, 37-, 40-, 44-, 46-, 47-, 48-, 50 b.h.p.
		shorten to 380 mm – 14 <sup>31</sup> / <sub>32</sub> in. – Warm air adaptor	1	34-, 37-, 40-, 44-, 46-, 47-, 48-, 50 b.h.p.
21	111 501 1 9 B	Strip 9 mm – Heater pipe .....	4	30 b.h.p.
		from Engine No. 3 949 223 from Engine No. 7 336 420	4	34-, 37-, 40-, 44-, 46-, 47-, 48-, 50 b.h.p.
22	*111 255 3 9 B	Link – Heating control cable .....	2	
23	*111 255 3 1	Link pin .....	2	
24	N 12 434 1	Lock washer 4 .....	4	
25	113 255 3 1 A	Clip 25 mm – Connection pipe .....	2	30 b.h.p.
		from Engine No. 3 949 223 from Engine No. 7 336 420	2	34-, 37-, 40-, 44-, 46-, 47-, 48-, 50 b.h.p.
26	N 11 651 1	Washer 5.8 .....	2	
27	113 255 3 51	External-tooth lock washer .....	2	30 b.h.p.
		from Engine No. 2 939 201 up to 3 949 222		
	N 12 507 1	Coffer pin 1.5×15 .....	4	30 b.h.p.
		from Engine No. 2 939 201 up to 3 949 222		
28	211 255 1 9	Pre-heating connecting pipe 900 mm – 35 <sup>7</sup> / <sub>16</sub> in. from Engine No. 3 949 223 up to 4 050 000	1	30 b.h.p.
		up to Engine No. D 0 079 453	1	34 b.h.p.
		up to Engine No. E 0 004 500	1	37 b.h.p.: M 240
		up to Engine No. F 0 767 045	1	40 b.h.p.
		from Engine No. H 0 204 001 up to H 0 874 199	2	44 b.h.p.
		from Engine No. L 0 000 001 up to L 0 019 336	1	40 b.h.p.: M 240
(28)	113 255 3 7 A	Pre-heating connecting pipe 630 mm – 24 <sup>13</sup> / <sub>16</sub> in. from Engine No. D 0 079 454	1	34 b.h.p.
		from Engine No. E 0 004 501 up to E 0 022 000	1	37 b.h.p.: M 240
		from Engine No. F 0 767 046 up to F 2 200 000	1	40 b.h.p.

Key No.	Part No.	Description	Quantity	Type and model
25	DIN b.h.p.=30 SAE , 30=36 , 34=41.5 , 37=47 , 40=49/50 , 44=52/53 , 48=55 , 47=57 , 48=58 , 50=60			
29	113 255 737	Clip - Connection pipe .....	4	
30	N 11 008 8	Nut, hex. M 8 .....	8	up to Engine No. 3 949 222
31	311 101 463	Nut, hex. M 8 self-locking .....	8	from Engine No. 3 949 223
32	111 298 101	1 set of mounting components for heater control ..	2	cable up to Chassis No. 116 314 086
33	111 298 101 A	1 set of mounting components for heater control ..	2	cable - Link 111 255 309 B







Key No.	Part No.	Description	Quantity	Type and model
25. DIN b.h.p.=30 SAE , 30=36 , 34=41.5 , 37=47 , 40=49/50 , 44=52/53 , 46=55 , 47=57 , 48=58 , 50=60				
4	111 255 409	Gasket - Flexible hot air tube .....	2	34 b.h.p.
		from Engine No. D 0 675 000	2	40-, 44-, 46-, 48-, 50 b.h.p.
		from Engine No. AB, AC, AD, AE, AF, AH 0 000 001		
5	111 255 413	Heating pipe, left .....	1	
		from Chassis No. 1 - 929 746 up to 6 502 399		
6	111 255 413 A	Heating pipe, left .....	1	
		from Chassis No. 115 000 001 up to 117 999 000 (from Chassis No. 118 000 001 up to 118 1016 100 see 111 255 577)		
(5)	111 255 414	Heating pipe, right .....	1	
		from Chassis No. 1 - 929 746 up to 6 502 399		
(6)	111 255 414 A	Heating pipe, right .....	1	
		from Chassis No. 115 000 001 up to 117 999 000 (from Chassis No. 118 000 001 up to 118 1016 100 see 111 255 578)		
7	111 255 415 F	Heating pipe, left .....	1	
		from Chassis No. 119 000 001		
(7)	111 255 416 F	Heating pipe, right .....	1	
		from Chassis No. 119 000 001		
8	111 255 417 C	Gasket between heating pipe and flexible hot air tube .....	2	
		from Chassis No. 119 000 001		
9	111 255 419 B	Gasket between body and heating pipe .....	2	
		from Chassis No. 119 000 001		
10	N 10 216 8	Tapping screw, hex. head M 6×18 G .....	4	
		from Chassis No. 119 000 001		
11	N 11 695 2	Washer 6.1 .....	4	
-	113 255 423	Insulation - Heating pipe, left .....	1	
		from Chassis No. 5 199 980 up to 6 502 399		
(12)	113 255 423 A	Insulation - Heating pipe, left .....	1	
		from Chassis No. 115 000 001 up to 117 999 000		
12	113 255 423 C	Insulation - Heating pipe, left .....	1	
		from Chassis No. 118 000 001 up to 118 1016 100		

Key No.	Part No.	Description	Quantity	Type and model
(12)	113 255 424	Insulation - Heating pipe, right from Chassis No. 5 199 980 up to 6 502 399	1	
(12)	113 255 424 A	Insulation - Heating pipe, right from Chassis No. 115 000 001 up to 117 999 000	1	
(12)	113 255 424 B	Insulation - Heating pipe, right from Chassis No. 118 000 001 up to 118 1016 100	1	
-	211 255 427	Adaptor bush 60 mm dia. to 50 mm dia. - Heat exchanger	x	
(13)	113 255 429 A	Distribution pipe - Foot level heating, rear, left from Chassis No. 5 199 980 up to 6 502 399	1	
(13)	113 255 429 B	Distribution pipe - Foot level heating, rear, left from Chassis No. 115 000 001 up to 118 1016 100	1	
13	113 255 429 C	Distribution pipe - Foot level heating, rear, left from Chassis No. 119 000 001	1	
(13)	113 255 430 A	Distribution pipe - Foot level heating, rear, right from Chassis No. 5 199 980 up to 6 502 399	1	
(13)	113 255 430 B	Distribution pipe - Foot level heating, rear, right from Chassis No. 115 000 001 up to 118 1016 100	1	
(13)	113 255 430 C	Distribution pipe - Foot level heating, rear, right from Chassis No. 119 000 001	1	
14	N 13 968 1	Tapping screw, fillister head B 4.8x13 from Chassis No. 119 000 001	2	
15	111 837 939	Concave washer 5.3x12.5 from Chassis No. 119 000 001	2	
16	111 255 431	Connection pipe from Chassis No. 1 - 929 746 up to 5 199 979	2	
17	111 255 437 A	Muffler half, upper from Chassis No. 1 - 929 746 up to 3 060 710	2	



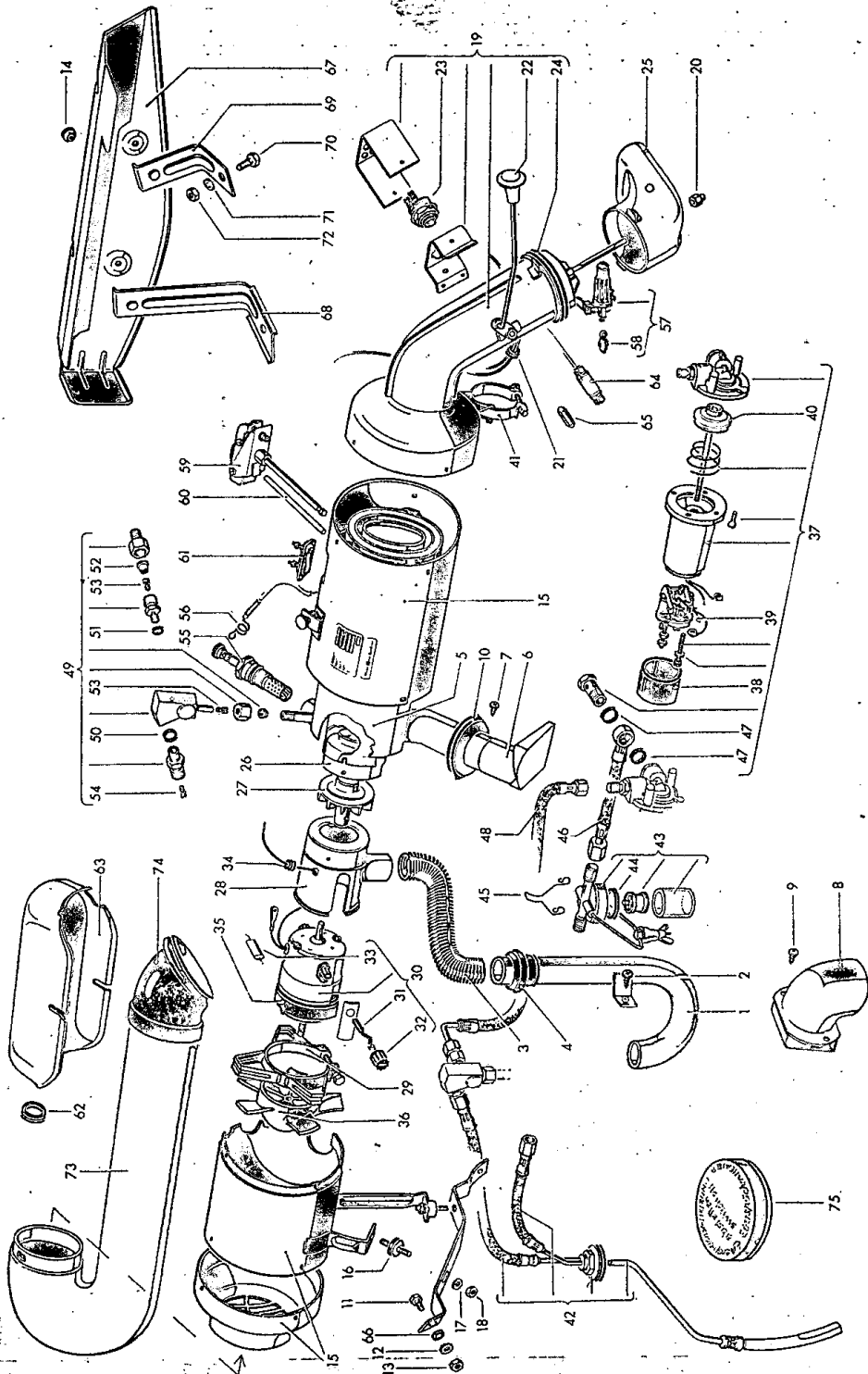
Key No.	Part No.	Description	Quantity	Type and model
25 DIN b.h.p.=30 SAE , 30=36 , 34=41.5 , 37=47 , 40=49/50 , 44=52/53 , 46=55 , 47=57 , 48=58 , 50=60				
18	211 255 463	Strip 62-87 mm dia. - Flexible hot air tube ..... up to Chassis No. 118 1016 100 from Chassis No. 119 000 001	x 4	
(18)	111 501 159 B	Strip - Hose connecting for flexible pipe ..... up to Chassis No. 3 060 710	4	
(19)	113 255 485 F	Insulation - Distribution pipe, rear, left ..... from Chassis No. 5 199 980 up to 118 1016 100	1	
19	113 255 485 G	Insulation - Distribution pipe, rear ..... from Chassis No. 119 000 001	2	
(19)	113 255 486 D	Insulation - Distribution pipe, rear, right ..... from Chassis No. 5 199 980 up to 118 1016 100	1	
20	111 255 499 8/64 -	Rubber seal front - Distribution pipe ..... from Chassis No. 117 000 001 041 black	2	
(20)	113 255 499 A 8/63 - 7164	Rubber seal - Distribution pipe ..... from Chassis No. 5 199 980 up to 6 502 399 043 grey-black	2	34 b.h.p.: 113, 114, 117, 118, 151, 152
(20)	113 255 499 B 8/64 - 7166	Rubber seal - Distribution pipe ..... from Chassis No. 115 000 001 up to 116 1021 300 469 anthracite	2	
21	111 255 500 8/64 -	Rubber seal rear - Distribution pipe ..... from Chassis No. 117 000 001 041 black	2	
22	113 255 511	Adaptor - Foot level heating, rear ..... from Chassis No. 4 010 995 up to 5 199 979	1	34 b.h.p.: 113, 114, 117, 118, 151, 152
23	N 13 969 1	Tapping screw, fillister head B 4.8x16 ..... from Chassis No. 4 010 995 up to 5 199 979	2	34 b.h.p.: 113, 114, 117, 118, 151, 152
24	113 255 515 A	Hose - Foot level heating, rear ..... from Chassis No. 4 010 995 up to 5 199 979	1	34 b.h.p.: 113, 114, 117, 118, 151, 152
25	113 255 529 B	Flap - Foot level heating, rear ..... from Chassis No. 5 199 980 up to 6 502 399	1	
26	113 255 529 C	Flap left - Foot level heating, rear ..... from Chassis No. 119 000 001	1	

Key No.	Part No.	Description	Quantity	Type and model
	25	DIN b.h.p.=30 SAE ; 30=36 , 34=41.5 , 37=47 , 40=49/50 , 44=52/53 , 46=55 , 47=57 , 48=58 ; 50=60		
(26)	113 255 530 C	Flap right - Foot level heating, rear from Chassis No. 119 000 001	1	
(26)	111 255 537 A	Flap left - Foot level heating, rear from Chassis No. 115 000 001 up to 118 1016 100	1	
(26)	111 255 538 A	Flap right - Foot level heating, rear from Chassis No. 115 000 001 up to 118 1016 100	1	
(26)	311 255 553 B	Flap - Foot level heating, rear from Chassis No. 148 000 001	2	141-144
27	113 255 541	Knob - Flap from Chassis No. 5 199 980 up to 6 502 399	2	
28	113 255 547	Spring clip - Flap from Chassis No. 5 199 980 up to 6 502 399	2	
29	311 255 547	Cable - Flap from Chassis No. 115 000 001	2	
30	N 17 471 0	Connector from Chassis No. 115 000 001	2	
31	311 255 563 A	Spring clip - Flap from Chassis No. 115 000 001 up to 117 999 000	2	
32	111 255 577	Elbow - Heating pipe, left from Chassis No. 118 000 001 up to 118 1016 100	1	
(32)	111 255 578	Elbow - Heating pipe, right from Chassis No. 118 000 001 up to 118 1016 100	1	
33	211 817 879	Rubber seal - Elbow from Chassis No. 118 000 001 up to 118 1016 100	2	
34	411 821 141	Tapping screw, hex. head - Elbow from Chassis No. 118 000 001 up to 118.1016.100	2	
35	113 255 720 A	Insulation - Warm air hose between engine and body		
		from Engine No. D 382 980	2	34 b.h.p.
		from Engine No. E 0 015 851 up to E 0 022 000	2	37 b.h.p.: M 240
		from Engine No. F 1 451 086 up to F 2 200 000	2	40 b.h.p.
		from Engine No. H 1 003 256 up to H 1 350 000	2	44 b.h.p.
		from Engine No. L 0 021 116 up to L 0 026 500	2	40 b.h.p.: M 240
		up to Engine No. B 6 600 000	2	47 b.h.p.
		from Engine No. AB, AC, AD, AE, AF, AH 0 000 001	2	40, 44, 46, 48, 50 b.h.p.



Key No.	Part No.	Description	Quantity	Type and model
36	113 255 761 A	Bracket for hot air tube between engine and body to luggage compartment floorplate from Chassis No. 119 000 001	2	
37	311 821 143	Tapping screw, hex. head .....	2	





Key No.	Part No.	Description	Quantity	Type and model
		<b>EBERSPÄCHER STATIONARY HEATER</b>		<b>M 60: 111-118, 151, 152</b>
		up to Chassis No: 110 3100 000		
-	111 261 115	Seal - Heater plug .....	1	
-	311 261 119	Seal - Thermo switch .....	1	
1	111 261 125	Combustion air pipe .....	1	
2	N 13 968 1	Tapping screw, fillister head B 4.8×13 .....	1	
3	311 261 135 B	Hose - Combustion air pipe .....	1	
		(shorten to 135 mm)		
-	111 261 137	Seal - Combustion air pipe .....	1	
4	311 813 453	Grommet - Combustion air pipe .....	1	
5	111 261 141	Heat exchanger .....	1	
		from Chassis No. 118 000 001		
		(up to Chassis No. 117 999 000 use 111 261 395,		
		311 261 399, 311 261 455 and N 13 956 2 as well)		
6	111 261 145	Exhaust pipe .....	1	
7	N 13 961 2	Tapping screw, fillister head B 3.9×13 .....	1	
8	111 261 165	Air intake pipe .....	1	
		up to Chassis No. 116 1021 300		
9	N 13 961 2	Tapping screw, fillister head B 3.9×13 .....	2	
-	111 261 183	Boot - Exhaust pipe .....	1	
		from Chassis No. 118 000 001		
10	111 261 185	Sealing ring - Exhaust pipe .....	1	
-	111 261 265	Bracket - Heater .....	1	
		up to Chassis No. 117 999 000		
-	111 261 265 A	Bracket - Heater .....	1	
		from Chassis No. 118 000 001		



Key No.	Part No.	Description	Quantity	Type and mod.
11	N 10 212 3	Bolt, hex. head M 6X12	2	
12	N 12 127 2	Shaker of washer A 6.4	2	
13	N 11 006 3	Nut, hex. A 6	2	
14	311 261 3 5 A	Enrolled nut - Cover plate	2	
15	111 261 3 5	Casing	1	
16	311 261 3 5	Bonded rubber mounting	2	
17	N 12 006 2	Spring washer B 6	4	
18	N 11 006 2	Nut, hex. A 6	4	
-	311 261 3 3	Warm air elbow with flaps up to chassis No. 116 1021 300	1	
19	111 261 3 3	Warm air elbow with flaps from chassis No. 117 000 001	1	
20	N 11 142	Cap nut 6	1	
21	311 971 9 3	Prommer	1	
22	113 955 5 1 1/54	Knop - Knop 466 - Cover beige	1	
23	311 261 3 5	Delay switch	1	
24	311 261 3 1	Seal - Warm air elbow	1	
25	311 261 3 5	Air outlet	1	
26		no longer available		
27	311 261 3 9	Radial cover wheel	1	
28	111 261 3 5	Motor heating housing (up to chassis No. 117 999 000 use 111 261 141, 311 261 399, 311 261 455 and N 13 956 2 as well)	1	

Key No.	Part No.	Description	Quantity	Type and model
29	111 261 397	Clip - Motor	1	
30	311 261 401	Motor 6 V	1	
-	311 261 403	Motor 12 V	1	
31	311 261 431	Carbon brushes	2	
32	311 261 435	Cap - Carbon brushes	2	
33	311 261 445	Condenser	1	
34		no longer available		
-	311 261 453	Rubber seal - Motor up to Chassis No. 116 1021 300	1	
35	111 261 453	Rubber seal - Motor from Chassis No. 117 000 001	1	
36	311 261 457	Axial blower	1	
-	111 261 465	Fuel pump 6 V from Chassis No. 119 208 685	1	
37	311 261 465	Fuel pump 6 V up to Chassis No. 119 208 684	1	
-	111 261 467	Fuel pump 12 V from Chassis No. 119 208 685	1	
-	311 261 467	Fuel pump 12 V up to Chassis No. 119 208 684	1	
38	311 261 473	Bakelite cap (black) - Fuel pump	1	
39	311 261 475	Contact plate with contacts - Fuel pump	1	
40	311 261 485	Diaphragm - Fuel pump	1	
41	311 261 489	Clip - Fuel pump	1	
42	111 261 491	Fuel suction and return pipes with tank connection	1	

MAIN GROUP



FUEL TANK,  
EXHAUST SYSTEM, HEATING SYSTEM

Stationary heater

Key No.	Part No.	Description	Quantity	Type and model
43	311 261 495	Fuel filter .....	1	
44	111 209 129	Sealing washer - Filter bowl .....	1	
45	311 261 511	Filter bracket .....	1	
		up to Chassis No. 116 1021 300		
46	111 261 513	Section pipe from filter to pump .....	1	
		up to Chassis No. 119 208 684		
-	111 261 513 A	Section pipe from filter to pump .....	1	
		from Chassis No. 119 208 685		
47	N 13 814 2	Casket A 14×18 DIN 7603 .....	2	
-	111 261 517	Pump pressure pipe .....	1	
		from Chassis No. 119 208 685		
48	311 261 517	Pump pressure pipe .....	1	
		up to Chassis No. 119 208 684		
49	311 261 525	Jet carrier .....	1	
50	N 13 811 1	Casket A 10×13.5 .....	1	
51	N 13 830 2	Casket A 8×12 .....	1	
52	311 261 533	Strainer - Jet carrier .....	1	
53	311 261 545 A	Fuel jet 0.325 .....	2	
54	311 261 549 A	Fuel jet 0.75 .....	1	
55	311 261 551	Heater plug .....	1	
56	311 261 555	Resistance - Heater plug 6 V .....	1	
57	311 261 561	Warning lamp 12 V .....	1	
58	N 17 722 2	Bulb J 12 V 2 W .....	1	

Key No.	Part No.	Description	Quantity	Type and model
59	311 261 571 A	Thermo switch .....	1	
-	N 21 097 1	Seal - Thermo switch .....	1	
60	311 261 575	Quartz bar .....	1	
61	311 261 581	Safely switch .....	1	
62	N 20 082 1	Grommet 21,5X28 - Protective cap .....	1	
63	311 261 595	Protective cap .....	1	
64	111 937 093 A	Connector with fuse .....	1	
65	111 129 929	Fuse 25 .....	1	
66	111 261 661	Gasket .....	2	
67	111 261 777	Cover plate .....	1	up to Chassis No. 117 999 000
-	111 261 777 A	Cover plate .....	1	from Chassis No. 118 000 001
68	111 261 781	Bracket, front .....	1	
69	111 261 785 A	Bracket, rear .....	1	
70	N 10 210 7	Bolt, hex. head M 6X10 .....	1	
71	N 12 226 2	Spring washer B 6 .....	1	
72	N 11 006 2	Nut, hex. M 6 .....	1	
73	111.261 793 A	Air circulation pipe - Front portion .....	1	from Chassis No. 118 000 001
74	111 261 795	Air circulation pipe - Rear portion .....	1	from Chassis No. 117 000 001 up to 117 999 000

MAIN GROUP

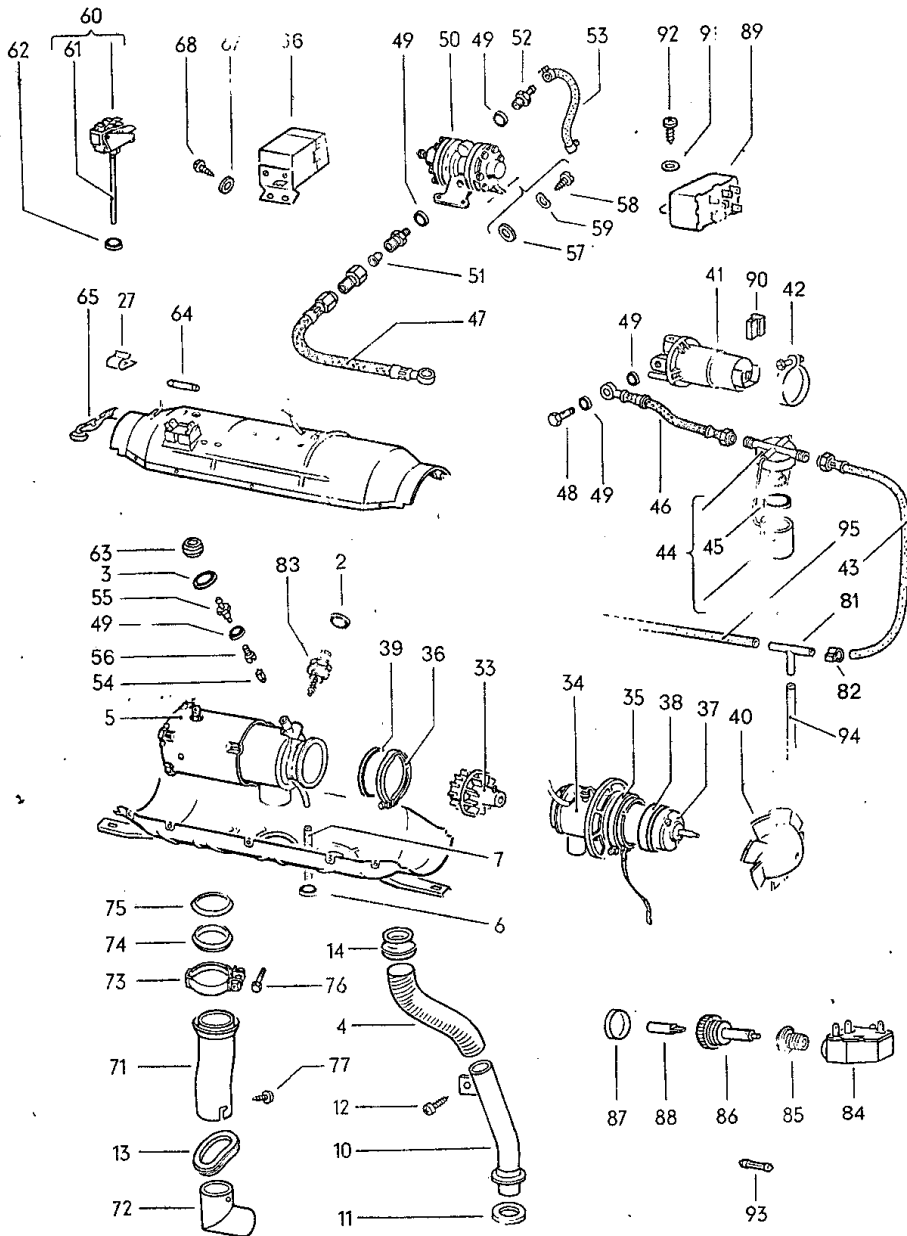


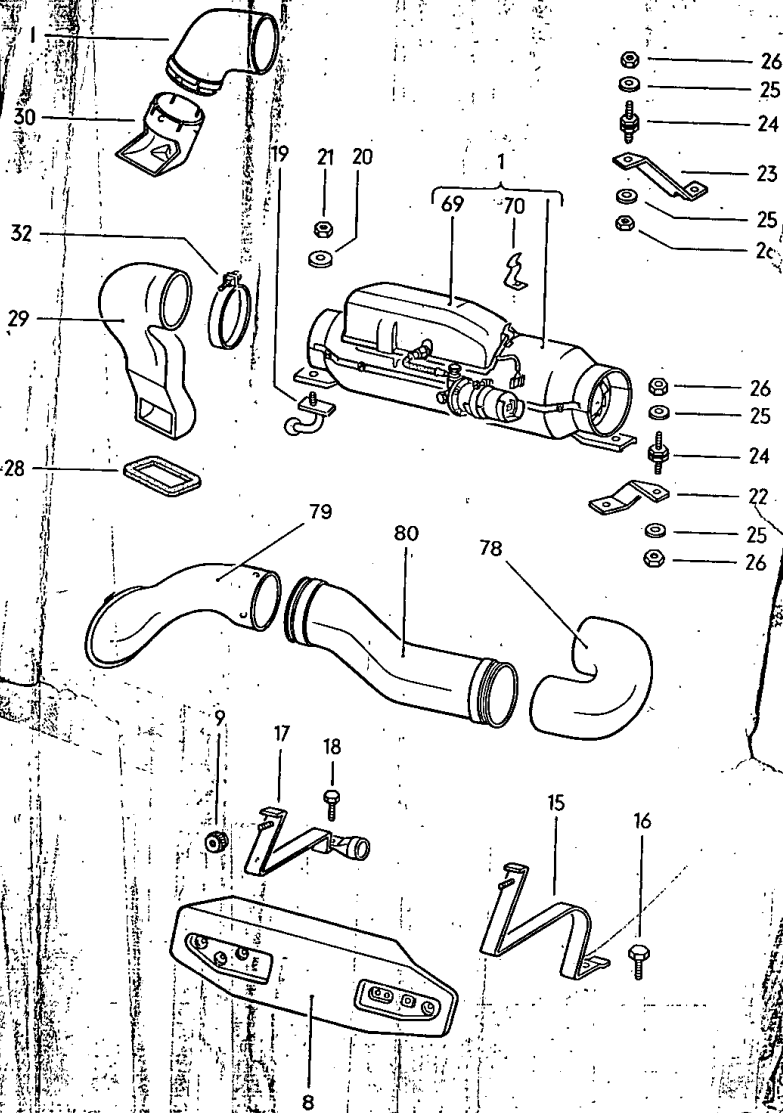
FUEL TANK,  
EXHAUST SYSTEM, HEATING SYSTEM

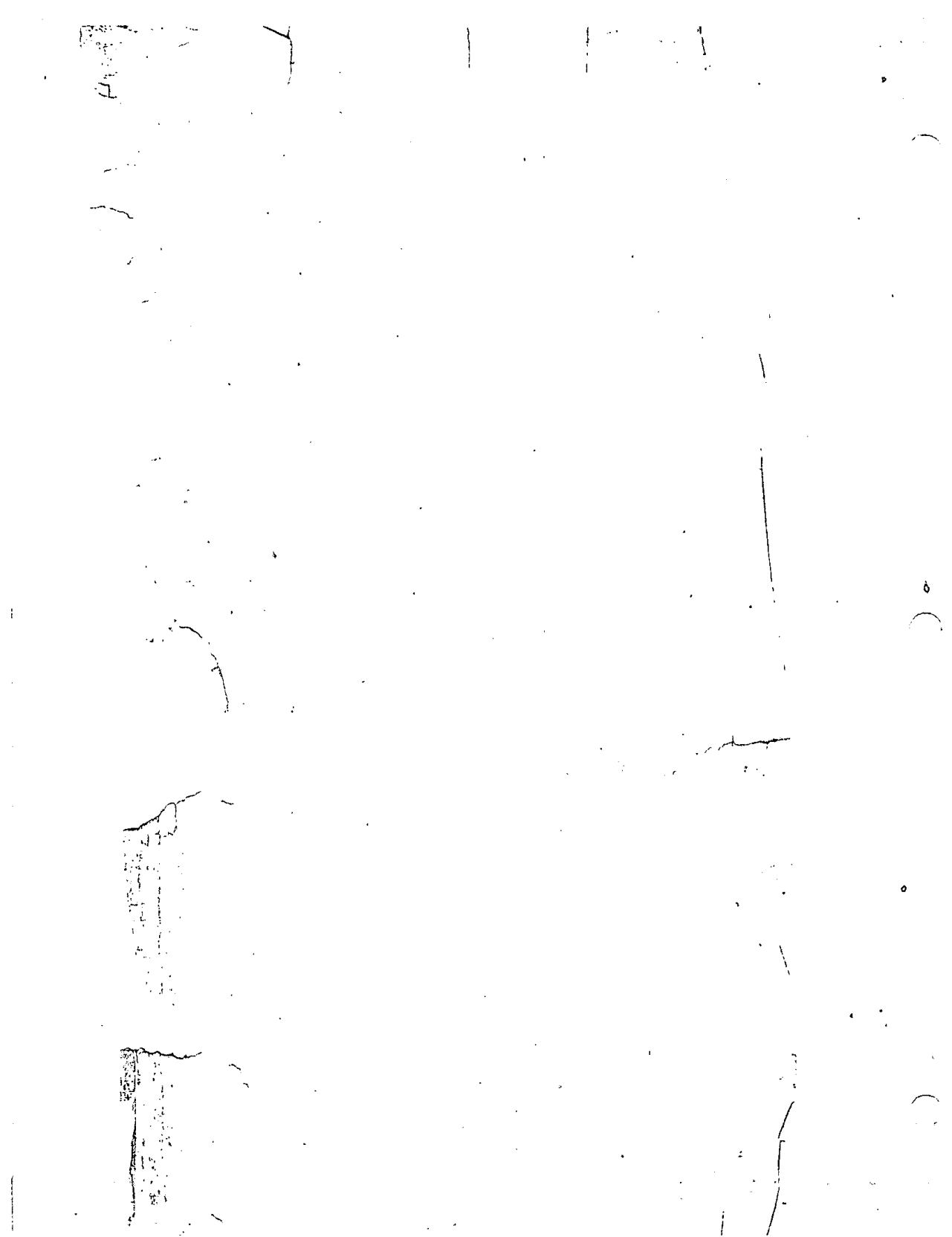
Stationary heater

Key No.	Part No.	Description	Quantity	Type and model
-	111 261 795 A	Air circulation pipe - Rear portion ..... from Chassis No. 118 000 001	1	
-	311 261 995	Instruction cover - Filler cap ..... up to Chassis No. 117 999 000	1	
75	111 261 995	Instruction plate - Fuel filler flap ..... from Chassis No. 118 000 001	1	
-	113 937 197	Clip .....	1	









Key No.	Part No.	Description	Quantity	Type and model
<b>STATIONARY HEATER</b>				
Eberspächer				
from Chassis No. 111 2000 001				
				M 60: 111-118, 151, 152; M 1; M 26
(1)	311 261 103 B	Heater 12 V ..... up to Chassis No. 111 3200 000	1	111-118, 151, 152; M 1
(1)	311 261 103 C	* Heater 12 V ..... up to Chassis No. 111 3200 000	1	M 26
1	311 261 103 D	Heater 12 V ..... from Chassis No. 112 2000 001	1	111-118, 151, 152; M 1
(1)	311 261 103 E	Heater 12 V ..... from Chassis No. 112 2000 001	1	M 26
2	311 261 115 B	Gasket - Heater plug .....	1	
(3)	311 261 117	Gasket - Jet carrier ..... up to Chassis No. 111 3200 000	1	
3	311 261 593 A	Gasket - Fuel feed connection ..... from Chassis No. 112 2000 001	1	
4	311 261 135 B	Hose for combustion air pipe .....	1	
(5)	311 261 141 B	Heat exchanger ..... up to Chassis No. 111 3200 000	1	
5	311 261 141 D	Heat exchanger ..... from Chassis No. 112 2000 001	1	
6	411 261 143	Seal - Fuel overflow pipe .....	1	
7	N 20 361 2	Hose, 4x2,5 for fuel overflow 550 mm - 2 1/2 in. 770 mm - 30 5/16 in.	1	113, 114, 117, 118, 151, 152 111, 112, 115, 116; M 1
8	113 261 155	Cover plate ..... from Chassis No. 111 2000 001	1	
9	311 261 295 A	Knurled nut - Cover plate .....	2	

# MAIN GROUP



## FUEL TANK, EXHAUST SYSTEM HEATING SYSTEM

Key No.	Part No.	Description	Quantity	Type and model
(10)	111 261 125 A	Combustion air pipe .....	1	111, 112, 115, 116; M 1
10	113 261 167 A	Combustion air pipe .....	1	113, 114, 117, 118, 151, 152
(11)	111 261 139	Gasket - Combustion air pipe .....	1	111, 112, 115, 116; M 1
11	113 261 177	Gasket - Combustion air pipe .....	1	113, 114, 117, 118, 151, 152
(12)	N 13 970 1	Tapping screw, fillister head B 4.8×9.5 .....	1	111, 112, 115, 116; M 1
12	N 13 968 1	Tapping screw, fillister head B 4.8×13 .....	1	113, 114, 117, 118, 151, 152
13	181 261 185 A	Gasket - Exhaust pipe .....	1	
14	311 261 199	Gasket - Combustion air pipe .....	1	
(15)	111 261 265 B	Bracket, front - Cover plate .....	1	111, 112, 115, 116; M 1
15	113 261 265	Bracket, front - Cover plate .....	1	113, 114, 117, 118, 151, 152
-	N 12 241 2	Spring washer B 8×15 .....	1	111, 112, 115, 116; M 1
-	N 11 008 8	Nut, hex. M 8 .....	1	111, 112, 115, 116; M 1
16	N 10 239 0	Bolt, hex. head M 8×18 .....	1	113, 114, 117, 118, 151, 152
(17)	111 261 269	Bracket, rear - Cover plate .....	1	111, 112, 115, 116; M 1
17	113 261 269	Bracket, rear - Cover plate .....	1	113, 114, 117, 118, 151, 152
-	N 11 525 2	Washer A 8.4 .....	1	111, 112, 115, 116; M 1
18	N 10 241 3	Bolt, hex. head M 8×22 .....	1	113, 114, 117, 118, 151, 152
19	113 261 302	Bracket, rear - Heater .....	1	113, 114, 117, 118, 151, 152
(19)	111 261 308	Bracket, rear - Heater .....	1	111, 112, 115, 116; M 1
20	211 805 243	Spring washer .....	1	113, 114, 117, 118, 151, 152

Key No.	Part No.	Description	Quantity	Type and model
21	N 11 006 2	Nut, hex. M 6 .....	1	113, 114, 117, 118, 151, 152
(22)	111 261 304	Bracket, front - Heater .....	1	111, 112, 115, 116; M 1
22	113 261 305	Bracket, front - Heater .....	1	113, 114, 117, 118, 151, 152
(23)	111 261 306	Bracket, center - Heater .....	1	111, 112, 115, 116; M 1
23	113 261 307	Bracket, center - Heater .....	1	113, 114, 117, 118, 151, 152
24	211 261 325 B	Bonded rubber mounting .....	2	113, 114, 117, 118, 151, 152
(24)	311 261 325	Bonded rubber mounting .....	3	111, 112, 115, 116; M 1
25	N 12 226 2	Spring washer B 6 .....	4	113, 114, 117, 118, 151, 152
			3	111, 112, 115, 116; M 1
(25)	211 805 243	Spring washer .....	3	111, 112, 115, 116; M 1
26	N 11 006 2	Nut, hex. M 6 .....	4	113, 114, 117, 118, 151, 152
			6	111, 112, 115, 116; M 1
-	311 821 185	Rubber washer .....	2	111, 112, 115, 116; M 1
-	N 11 695 2	Washer 6.1 .....	2	111, 112, 115, 116; M 1
-	N 12 226 2	Spring washer B 6 .....	2	111, 112, 115, 116; M 1
-	N 11 006 2	Nut, hex. M 6 .....	2	111, 112, 115, 116; M 1
-	N 12 226 2	Spring washer B 6 .....	1	111, 112, 115, 116; M 1
-	N 10 212 3	Bolt, hex. head M 6x12 .....	1	111, 112, 115, 116; M 1
27	311 261 323	Terminal .....	1	
28	113 261 369	Seal - Vent .....	1	113, 114, 117, 118, 151, 152
29	113 261 377 A	Warm air vent .....	1	113, 114, 117, 118, 151, 152

MAIN GROUP



FURNACE EXHAUST SYSTEM  
HEATING SYSTEM

Key No.	Part No.	Description	Quantity	Type and model
30	311 261 377 A	Warm air outlet, lower part	1	111, 112, 115, 116; M 1
31	111 261 387	Warm air outlet, upper part	1	111, 112, 115, 116; M 1
32	N 23 516 1	Clip - Warm air outlet	1	113, 114, 117, 118, 151, 152
33	311 261 389 A	Radial blower wheel	1	
(34)	311 261 395 A	Motor locating housing up to Chassis No. 111 3200 000	1	
34	311 261 395 B	Motor locating housing from Chassis No. 112 2000 001	1	
35	311 261 397 A	Clip - Motor up to Chassis No. 111 3200 000	1	
36	311 261 399	Clip for motor locating housing	1	
(37)	311 261 403 A	Motor 12 V up to Chassis No. 111 3200 000	1	
37	311 261 403 B	Motor 12 V from Chassis No. 112 2000 001	1	
(38)	311 261 453 A	Rubber seal Motor up to Chassis No. 111 3200 000	1	
38	181 261 453	Rubber seal Motor from Chassis No. 112 2000 001	1	
(39)	311 261 455	Sealing ring for motor locating housing up to Chassis No. 111 3200 000	1	
39	311 261 455 A	Sealing ring for motor locating housing from Chassis No. 112 2000 001	1	
(40)	311 261 457 A	Axial blower up to Chassis No. 111 3200 000	1	
40	311 261 457 B	Axial blower from Chassis No. 112 2000 001	1	

Key No.	Part No.	Description	Quantity	Type and model
41	311 261 467 B	Fuel pump ..... up to Chassis No. 111 3200 000	1	
(41)	311 261 467 C	Fuel pump ..... from Chassis No. 112 2000 001	1	
-	311 261 673	Bracket - Fuel pump and filler ..... from Chassis No. 112 2000 001	1	
-	311 261 449	Lock plate for bonded rubber mounting ..... from Chassis No. 112 2000 001	1	
-	181 261 471	Rubber support ring - Motor seal ..... from Chassis No. 112 2000 001	2	
-	181 261 477	Lock ring - Rubber support ring ..... from Chassis No. 112 2000 001	1	
42	311 261 489	Retaining clip 44-64 mm dia. .... up to Chassis No. 111 3200 000	1	
43	113 261 493	Suction line from T piece to fuel filter ..... up to Chassis No. 111 3200 000	1	
44	131 261 275	Fuel filter ..... from Chassis No. 112 2000 001	1	
(44)	311 261 495	Fuel filter ..... up to Chassis No. 111 3200 000	1	
-	311 261 499 A	Gasket - Motor ..... from Chassis No. 112 2000 001	1	
45	111 209 129	Sealing washer - Filter bowl ..... up to Chassis No. 111 3200 000	1	
46	311 261 513 D	Suction pipe from filter to pump ..... up to Chassis No. 111 3200 000	1	
47	311 261 517 C	Pump pressure pipe ..... up to Chassis No. 111 3200 000	1	
48	N 21 055 1	Union screw - A 2/3 ..... up to Chassis No. 111 3200 000	2	
49	N 13 807 1	Sealing ring A 8x11.5 ..... up to Chassis No. 111 3200 000	7	
50	311 261 519	Pressure regulator ..... up to Chassis No. 111 3200 000	1	



Key No.	Part No.	Description	Quantity	Type and model
51	311 261 533	Strainer - Pressure regulator up to Chassis No. 111 3200 000	1	
52	311 261 537 A	Hose connection on pressure regulator up to Chassis No. 111 3200 000	1	
53	311 261 539 B	Fuel hose from pressure regulator to jet carrier up to Chassis No. 111 3200 000	1	
54	311 261 541 A	Packing piece under fuel jet up to Chassis No. 111 3200 000	1	
55	311 261 543	Jet carrier up to Chassis No. 111 3200 000	1	
56	311 261 545	Fuel jet up to Chassis No. 111 3200 000	1	
57	311 261 547	Plastic washer under pressure regulator up to Chassis No. 111 3200 000	4	
58	N 11 367 2	Tapping screw, cheese head B 3.5×9.5	4	
59	N 12 224 1	Spring washer B 4	4	
60	311 261 571 A	Thermo switch	1	
61	311 261 575	Quartz bar	1	
62	311 261 119	Gasket - Thermo switch	1	
63	N 21 097 1	Seal - Thermo switch	1	
64	N 17 121 1	Fuse 8	1	
65	311 261 581 A	Overheating switch	1	
66	211 261 587	Safety switch	1	
67	N 12 097 1	Spring washer A 4.3	1	
68	N 13 965 1	Tapping screw, fillister head B 4.2×9.5	1	
69	311 261 595 B	Protective cap	1	
70	311 261 597	Retaining spring - Protective cap	1	
(71)	111 261 603 A	Exhaust pipe, upper	1	111, 112, 115, 116; M 1

Key No.	Part No.	Description	Quantity	Type and model
71	113 261 603	Exhaust pipe, upper .....	1	113, 114, 117, 118, 151, 152
(72)	111 261 607	Exhaust pipe, lower .....	1	111, 112, 115, 116; M 1
72	113 261 607	Exhaust pipe, lower .....	1	113, 114, 117, 118, 151, 152
73	311 261 695	Clip for exhaust pipe .....	1	
74	311 261 697	Sealing ring - Clip .....	1	
75	311 261 699	Retaining ring - Clip .....	1	
76	N 10 221 2	Bolt, hex. head M 6×30 .....	1	
77	N 13 956 2	Tapping screw, fillister head B 3.5×6.5 .....	1	
(78)	111 261 793 B	Air circulation pipe, front piece .....	1	111, 112, 115, 116; M 1
78	311 261 793 A	Air circulation pipe, front piece .....	1	113, 114, 117, 118, 151, 152
(79)	111 261 795 B	Air circulation pipe, rear piece .....	1	111, 112, 115, 116; M 1
79	113 261 795	Air circulation pipe, rear piece .....	1	113, 114, 117, 118, 151, 152
80	113 261 797	Air circulation pipe, center piece .....	1	113, 114, 117, 118, 151, 152
-	N 20 355 1	Hose 5×2.5, 100 mm - 3 <sup>15</sup> / <sub>16</sub> in. ....	2	111, 112, 115, 116; M 1
81	341 127 561 A	T-piece - Fuel line .....	1	
82	111 127 537 A	Clip - Fuel line .....	5	
-	111 261 995	Instruction plate for fuel filler flap .....	1	
83	311 963 091 B	Heater plug .....	1	
84	111 963 105 A	Push-pull switch .....	1	



Key No.	Part No.	Description	Quantity	Type and model
85	111 941 515 D	Escutcheon - Push-pull switch .....	1	
86	111 953 245 E	Switch spindle with knob .....	1	
(86)	113 953 245	* Switch spindle with knob .....	1	M 228
87	111 941 543 D	Lens - Knob .....	1	
88	N 17 751 2	Bulb JG 12 V 1.2 W .....	1	
89	311 963 135 B	Dual relay 12 V - Push-pull switch .....	1	
90	311 963 370	Terminal sleeve housing (2 points) up to Chassis No. 111 3200 000	1	
-	311 971 867 A	Grommel - Fuel pump .....	1	
		from Chassis No. 112 2000 001		
91	N 12 097 1	Spring washer A 4.3 .....	1	
92	N 13 965 1	Tapping screw, fillister head B 4.2x9.5 .....	1	
93	N 17 121 4	Fuse 16 .....	1	
-	N 20 355 1	Head 5x2.5 .....		
94		185 mm - 7 <sup>9</sup> / <sub>32</sub> in.	1	113, 114, 117, 118, 151, 152
95		50 mm - 21 <sup>21</sup> / <sub>32</sub> in.	1	113, 114, 117, 118, 151, 152
-	N 11 373 2	Tapping screw, cheese head B 3.9x9.5 .....	x	
-	N 15 450 1	St. ed nut B 3.9x9.1 .....	x	

Part No.

Description

Quantity

REPAIR KITS

<b>211 298 001</b>	<b>1 set of securing parts for muffler 211 251 051 B</b>	
	comprising:	
111 251 261 B	Gasket – Exhaust pipe flange .....	2
111 251 263 A	Gasket – Pre-heating pipe .....	2
111 251 267 A	Clip – Exhaust pipe .....	3
N 10 215 4	Bolt, hex. head M 6×15 .....	4
N 10 239 0	Bolt, hex. head M 8×18 .....	2
N 10 242 5	Bolt, hex. head M 8×25 .....	1
N 11 008 8	Nut, hex. M 8 .....	3
N 12 226 2	Spring washer B 6 .....	4
<b>111 298 003</b>	<b>1 set of securing parts for muffler 111 251 051 C/D/G</b>	
	(without securing parts for tail pipes)	
	comprising:	
111 251 221	Seal 32 mm dia. ....	2
111 251 223	Seal 32 mm dia. ....	2
111 251 261 B	Gasket – Exhaust pipe flange .....	2
111 251 263 A	Gasket – Pre-heating pipe .....	2
111 251 269 A	Clip .....	4
113 251 273	Nut, hex. M 6 (self locking) .....	4
N 10 215 4	Bolt, hex. head M 6×15 .....	4
N 10 348 3	Bolt, hex. head BM 6×43 .....	4
N 10 710 1	Screw, cheese head AM 6×10 .....	5
N 11 008 8	Nut, hex. M 8 .....	4
N 11 652 1	Washer 7 .....	5
N 12 226 2	Spring washer B 6 .....	4
<b>111 298 005</b>	<b>1 set of securing parts for muffler 111 251 053</b>	
	(without securing parts for tail pipes)	
	comprising:	
311 101 463	Nut, hex. M 8 (self locking) .....	4
111 251 233 B	Seal 35 mm dia. ....	2
111 251 241	Seal 35 mm dia. ....	2
111 251 261 B	Gasket – Exhaust pipe flange .....	4
113 251 263	Gasket, right – Pre-heating pipe .....	1
113 251 265	Gasket, left – Pre-heating pipe .....	1
111 251 269 A	Clip .....	4
113 251 273	Nut, hex. M 6 (self locking) .....	4



Part No.	Description	Quantity
N 10 215 4	Bolt, hex. head M 6×15	4
N 10 348 3	Bolt, hex. head BM 6×43	4
N 10 710 1	Screw, cheese head AM 6×10	5
N 11 558 1	Washer 8.4	4
N 11 652 1	Washer 7	5
N 12 226 2	Spring washer B 6	4
<b>111 298 007</b>	<b>1 set of securing parts for muffler 113 251 053</b> <b>(without securing parts for tail pipes)</b> comprising:	
111 251 221	Seal 32 mm dia.	2
111 251 223	Seal 32 mm dia.	2
111 251 261 B	Gasket – Exhaust pipe flange	2
113 251 263	Gasket – Pre-heating pipe	2
113 251 265	Gasket – Pre-heating pipe	1
111 251 269 A	Clip	4
113 251 273	Nut, hex. M 6 (self locking)	4
N 10 215 4	Bolt, hex. head M 6×15	4
N 10 348 3	Bolt, hex. head BM 6×43	4
N 10 710 1	Screw, cheese head AM 6×10	5
N 11 008 8	Nut, hex. M 8	4
N 11 652 1	Washer 7	5
N 12 226 2	Spring washer B 6	4
<b>111 298 009</b>	<b>1 set of securing parts for muffler 113 251 053 D/E/L/M/T/AJ/AR/AQ</b> <b>(without securing parts for tail pipes)</b> comprising:	
311 101 463	Nut, hex. M 8 (self locking)	4
111 251 233 B	Seal 35 mm dia. – Exhaust pipe	2
111 251 241	Seal 35 mm dia. – Exhaust pipe	2
111 251 261 B	Gasket – Exhaust pipe flange	2
113 251 263	Gasket, right – Pre-heating pipe	2
113 251 265	Gasket, left – Pre-heating pipe	1
111 251 269 A	Clip	4
113 251 273	Nut, hex. M 6 (self locking)	4
N 10 215 4	Bolt, hex. head M 6×15	4
N 10 348 3	Bolt, hex. head BM 6×43	4
N 10 710 1	Screw, cheese head AM 6×10	5
N 11 652 1	Washer 7	5
N 12 226 2	Spring washer B 6	4

Part No.	Description	Quantity
<b>111 298 009 A</b>	<b>1 set of securing parts for muffler 113 251 053 D/E/L/M/T/AJ AK/AO</b> (without securing parts for tail pipes) Mod. 111-118, 151, 152 comprising:	
311 101 463	Nut, hex. M 8 (self locking)	4
111 251 233 C	Seal 35 mm dia. - Exhaust pipe	2
111 251 241 A	Seal 35 mm dia. - Exhaust pipe	2
111 251 261 B	Gasket - Exhaust pipe flange	2
113 251 263	Gasket, right - Pre-heating pipe	2
113 251 265	Gasket, left - Pre-heating pipe	1
111 251 269 A	Clamp	4
113 251 273	Nut, hex. M 6 (self locking)	4
113 255 341 A	Clip 25 mm - Connection pipe	2
N 10 215 4	Bolt, hex. head M 6×15	4
N 10 348 3	Bolt, hex. head BM 6×43	4
N 10 710 1	Screw, cheese head AM 6×10	5
N 11 652 1	Washer 7	5
N 12 226 2	Spring washer B 6	4
<b>111 298 051</b>	<b>1 set of securing parts for 1 tail pipe</b> comprising:	
111 251 241	Seal 35 mm dia. - Tail pipe	1
111 251 233 B	Seal 35 mm dia. - Tail pipe	1
111 251 269 A	Clip	2
113 251 273	Nut, hex. M 6 (self locking)	2
N 10 348 3	Bolt, hex. head BM 6×43	2
<b>111 298 095</b>	<b>1 set of securing parts for 1 junction box</b> up to Engine No. 3 949 222 for Model 111, 112, 115, 116 up to Engine No. 7 336 419 for Model 113, 114, 117, 118, 141-144, 151, 152 comprising:	
111 251 221	Seal 32 mm dia.	1
111 251 223	Seal 32 mm dia.	1
111 251 261 B	Gasket - Exhaust pipe flange	1
111 251 269 A	Clip	2
113 251 273	Nut, hex. M 6 (self locking)	2
N 10 348 3	Bolt, hex. head BM 6×43	2
N 11 008 8	Nut, hex. M 8	2



Part No.	Description	Quantity
111 278 101	1 set of mounting components for heater control cable comprising:	
111 255 281	Bush - Heating control cable .....	1
111-255 285	Screw - Bush .....	1
N 11 106 1	Nut, hex. AM 6 .....	1
N 12 226 2	Spring washer B 6 .....	1
111 298 101 A	1 set of mounting components for heater control cable comprising:	
111 255 309 B	Link - Heating control cable .....	1
111 255 311	Link pin .....	1
311 129 777	Pin - Heater control cable .....	1
N 10 205 2	Bolt, hex. head M 5X10 .....	1
N 12 434 1	Lock washer 4 .....	1
111 278 999	Filler neck with filler cap 70 mm dia. for filler neck 80 mm dia. from Chassis No. 1 - 929 746 up to 3 192 506: 111-118, 141-144, 151, 152 comprising:	
	Retainer - Adaptor .....	1
	Filler neck .....	1
	Gasket .....	1
	Screw, cheese hd. AM 5X20 .....	2
	Lock washer B 5 .....	2
	Hole .....	1
111 201 551	Filler cap 70 mm dia. ....	1